

Base Elements

23700.0312



Product Description

Material

Body

- Steel, blackened

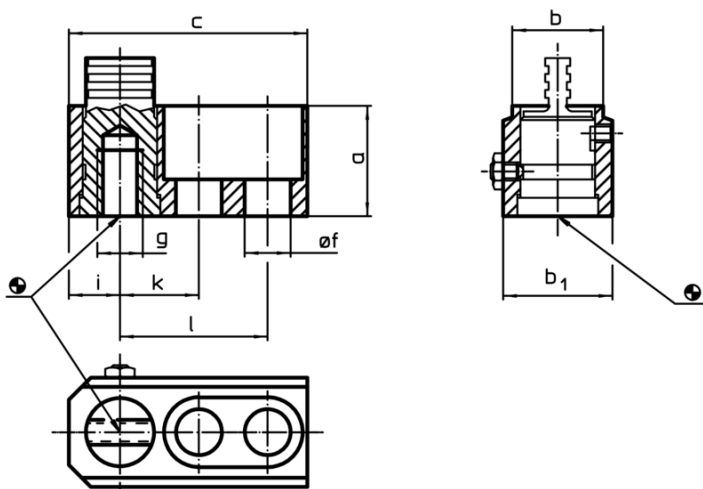
Wearing parts

- Heat-treated steel

Pull-rod

- Special steel

Drawing



Order information

Dimensions										[g]	Art. No.
a	b	c	b ₁	f	g	i	k	l	[mm]		
30	25	65	30	12,5	M12	12,5	20	40		297	23700.0312

Application example

