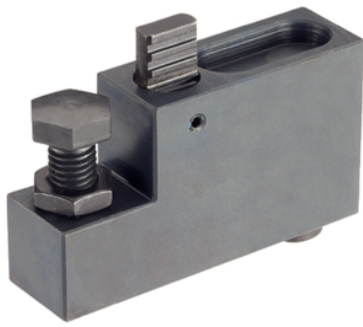


Intermediate Elements • with support

23700.0216



Product Description

Material

Body

- Steel, blackened

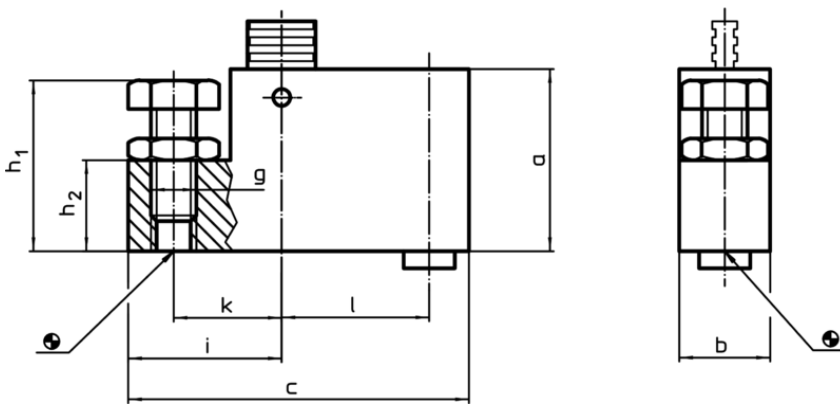
Wearing parts

- Heat-treated steel

Pull-rod

- Special steel

Drawing



Order information

a	b	c	g	Dimensions					[g]	Art. No.
				h ₁	h ₂	i	k	l		
60	30	112	M16	48 – 68	30	48	34	50	1140	23700.0216

Application example

