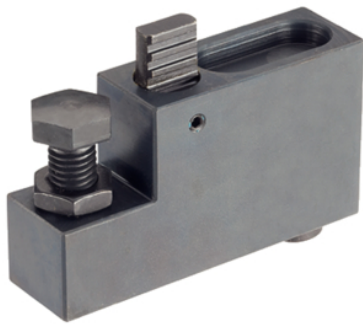


Intermediate Elements • with support

23700.0212



Product Description

Material

Body

- Steel, blackened

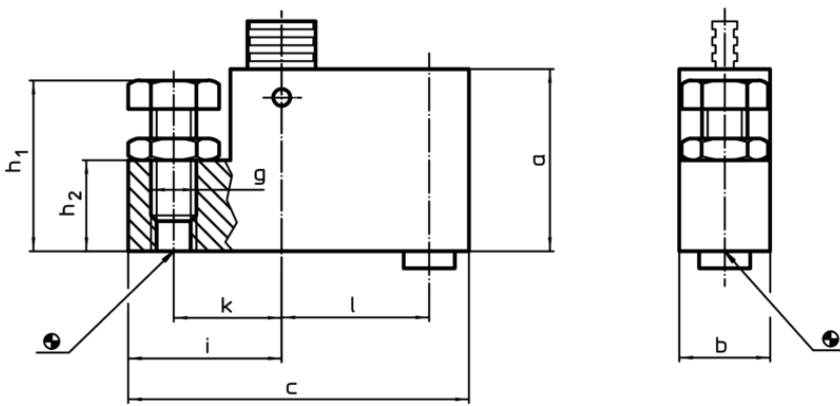
Wearing parts

- Heat-treated steel

Pull-rod

- Special steel

Drawing



Order information

a	b	c	g	Dimensions					[g]	Art. No.
				h_1 [mm]	h_2	i	k	l		
50	25	92	M12	38 – 53	25	39,5	28	40	550	23700.0212

Application example

