

Straight Clamps· short
23700.0026

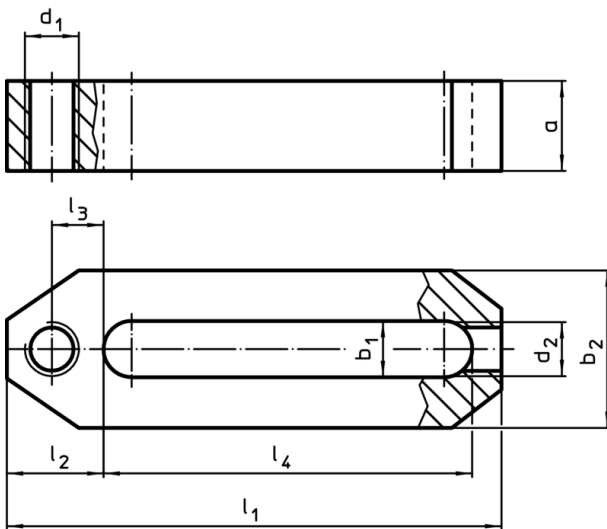
Product Description



Material

- Heat-treated steel, tempered, blackened

Drawing



Order information

Dimensions										[g]	Art. No.
b ₁	l ₁	a	b ₂	d ₁ [mm]	d ₂	l ₂	l ₃	l ₄			
17	142	30	40	M16	M12	28	15	107		788	23700.0026

Application example

