

Straight Clamps· short
23700.0022

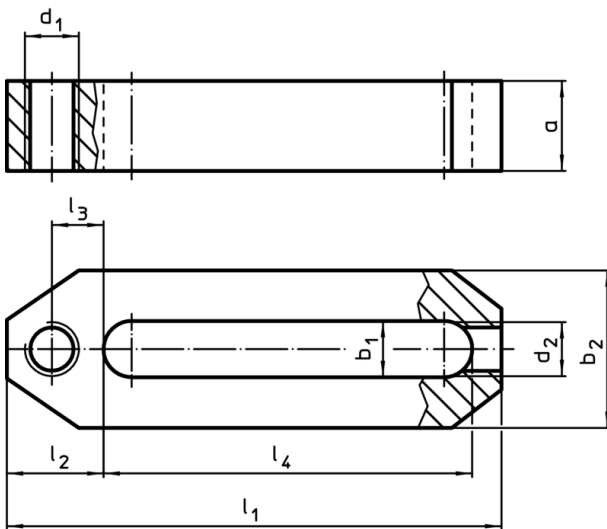
Product Description



Material

- Heat-treated steel, tempered, blackened

Drawing



Order information

| Dimensions | | | | | | | | | | [g] | Art. No. |
|----------------|----------------|----|----------------|----------------|----------------|----------------|----------------|----------------|------|-----|------------|
| b ₁ | l ₁ | a | b ₂ | d ₁ | d ₂ | l ₂ | l ₃ | l ₄ | [mm] | | |
| 12,5 | 110 | 20 | 35 | M12 | M10 | 21,5 | 11,5 | 82 | | 370 | 23700.0022 |

Application example

