

Height Adaptors- for compact clamp

23690.0116

Product Description

The height adaptors for compact clamps allow for a clamping height increase and have the following characteristics:

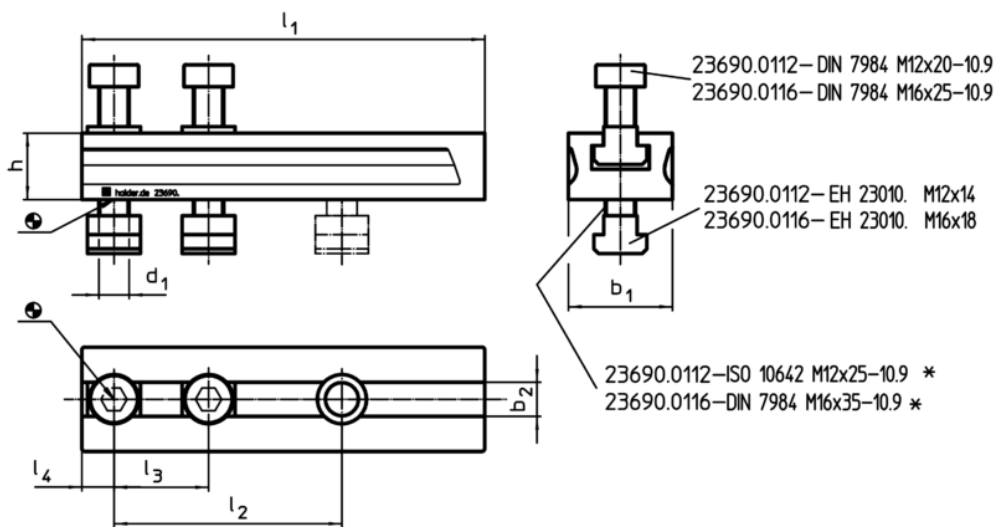
- continuous covering of clamping height
- height adaptor allows an exact positioning of compact clamp at designated slot distances
- height can optionally be expanded



Material

- Heat-treated steel, black coated

Drawing



* When using more height adaptors the screws ISO 10642 or DIN 7984 have to be replaced by screws extended by the dimension h.

Order information

Dimensions								[g]	Art. No.
d_1	l_1	l_2 +1	l_3	l_4	h	b_1	b_2 H12		
M16	213	120	50	17	35	55	18	2534	23690.0116

Application example

