

Height Adaptors- for compact clamp

23690.0112

Product Description

The height adaptors for compact clamps allow for a clamping height increase and have the following characteristics:

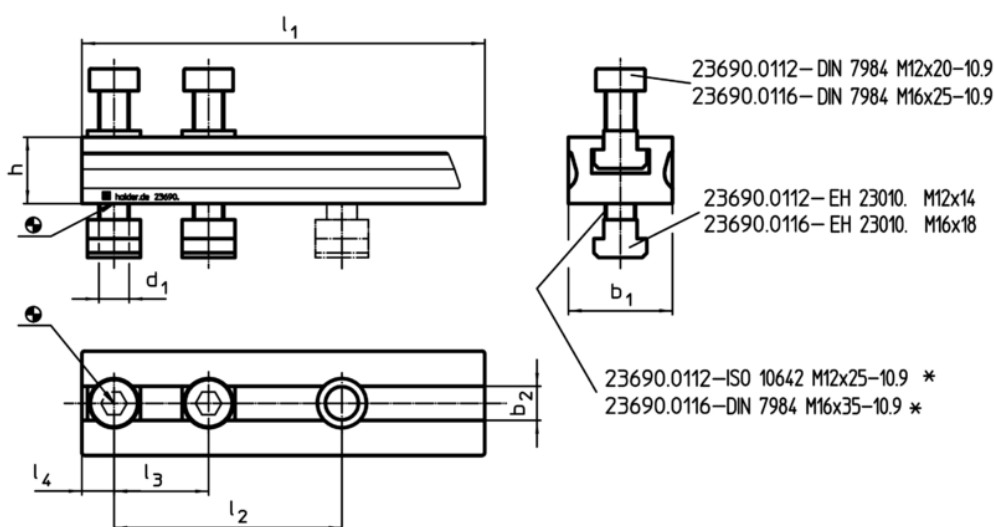
- continuous covering of clamping height
- height adaptor allows an exact positioning of compact clamp at designated slot distances
- height can optionally be expanded



Material

- Heat-treated steel, black coated

Drawing



* When using more height adaptors the screws ISO 10642 or DIN 7984 have to be replaced by screws extended by the dimension h.

Order information

d ₁	l ₁	l ₂ +1	Dimensions					b ₁	b ₂ H12	[g]	Art. No.
			l ₃	l ₄	h	[mm]					
M12	134	70	50	13	20	45	14	874	23690.0112		

Application example

