

Screw Jacks

23470.0030



Product Description

Trapezoidal self-locking thread, spindle with final safety device. The holders, which can be secured by means of the T-slots, make it possible to tighten the jacks so that they will not slip out of position when a workpiece is changed. They also allow to fit screw jacks to vertical clamping surfaces. Screw jacks are frequently used for supporting workpieces. Use of the self-aligning cap ensures a correctly aligned bearing surface. Using the centering plate as an intermediate element, it is possible to fit a number of screw jacks sizes 52, 70 and 100 together one above the other.

Material

Caps

- Steel, case-hardened, blackened

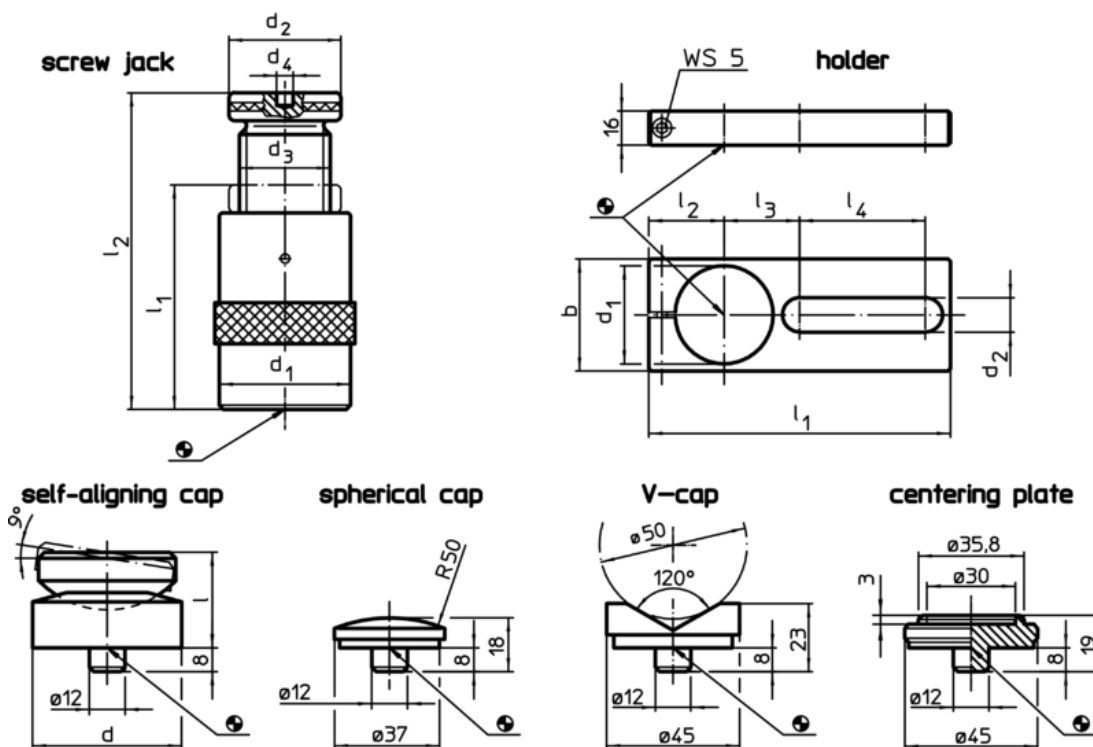
holder

- Steel, blackened

Screw Jacks

- Steel 1.0503 varnished




Drawing



Order information

| I ₂ Clamping height max. [mm] | Dimensions | | | | | Carrying force [kN] | [g] | Art. No. |
|---|------------------------|------------------------|----------------|----------------|------------------------|------------------------|------|------------|
| | I ₁ min. | d ₁ [mm] | d ₂ | d ₃ | d ₄ [mm] | | | |
| screw jack | | | | | | | | |
| 300 | 190 | 100 | 80 | Tr 65 x 10 | 12 | 350 | 9680 | 23470.0030 |

Accessories

| | Dimensions | | | | | | | | | For screw jacks [mm] |  [g] | Art. No. |
|---|------------|----------------|---|----------------|---|----------------|----------------|----------------|----------------|-------------------------|--|----------------------------|
| | d | d ₁ | b | d ₂ | l | l ₁ | l ₂ | l ₃ | l ₄ | | | |
| spherical cap | | | | | | | | | | | | |
|  | - | - | - | - | - | - | - | - | - | 52/ 70/100/140/210/300 | 74 | 23470.0171 |
| V-cap | | | | | | | | | | | | |
|  | - | - | - | - | - | - | - | - | - | 52/ 70/100/140/210/300 | 138 | 23470.0172 |