

Screw Jacks

23470.0014



Product Description

Trapezoidal self-locking thread, spindle with final safety device. The holders, which can be secured by means of the T-slots, make it possible to tighten the jacks so that they will not slip out of position when a workpiece is changed. They also allow to fit screw jacks to vertical clamping surfaces. Screw jacks are frequently used for supporting workpieces. Use of the self-aligning cap ensures a correctly aligned bearing surface. Using the centering plate as an intermediate element, it is possible to fit a number of screw jacks sizes 52, 70 and 100 together one above the other.

Material

Caps

- Steel, case-hardened, blackened

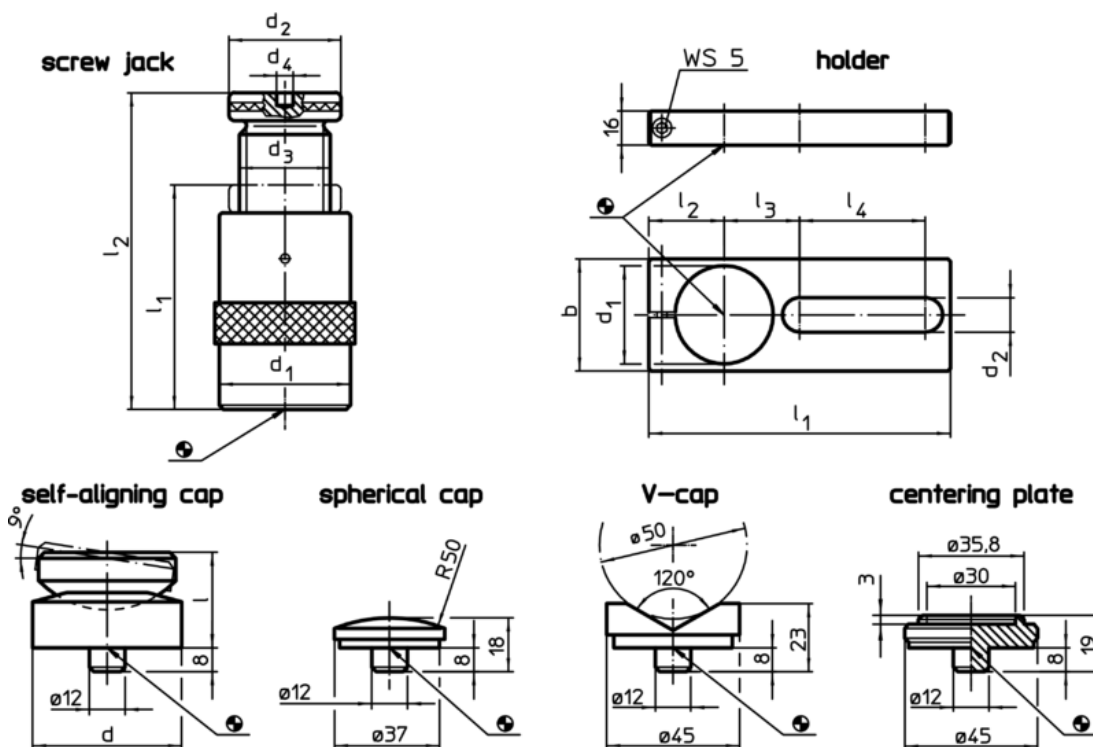
holder

- Steel, blackened

Screw Jacks

- Steel 1.0503 varnished


Drawing



Order information

Clamping height max. [mm]	l ₁ min.	Dimensions				Carrying force [kN]	[g]	Art. No.	
		d ₁ [mm]	d ₂	d ₃	d ₄ [mm]				
screw jack	140	100	69	69	Tr 40 x 7	12	100	2614	23470.0014

Accessories

	Dimensions									For screw jacks [mm]	 [g]	Art. No.
	d	d ₁	b	d ₂	l	l ₁	l ₂	l ₃	l ₄			
[mm]												
holder												
	-	69	80	24,5	-	210	48	54	90	140	1300	23470.0270
self-aligning cap												
	65	-	-	-	35	-	-	-	-	140/210	715	23470.0365
spherical cap												
	-	-	-	-	-	-	-	-	-	52/ 70/100/140/210/300	74	23470.0171
V-cap												
	-	-	-	-	-	-	-	-	-	52/ 70/100/140/210/300	138	23470.0172