

## Screw Jacks

23470.0007



### Product Description

Trapezoidal self-locking thread, spindle with final safety device. The holders, which can be secured by means of the T-slots, make it possible to tighten the jacks so that they will not slip out of position when a workpiece is changed. They also allow to fit screw jacks to vertical clamping surfaces. Screw jacks are frequently used for supporting workpieces. Use of the self-aligning cap ensures a correctly aligned bearing surface. Using the centering plate as an intermediate element, it is possible to fit a number of screw jacks sizes 52, 70 and 100 together one above the other.

### Material

#### Caps

- Steel, case-hardened, blackened

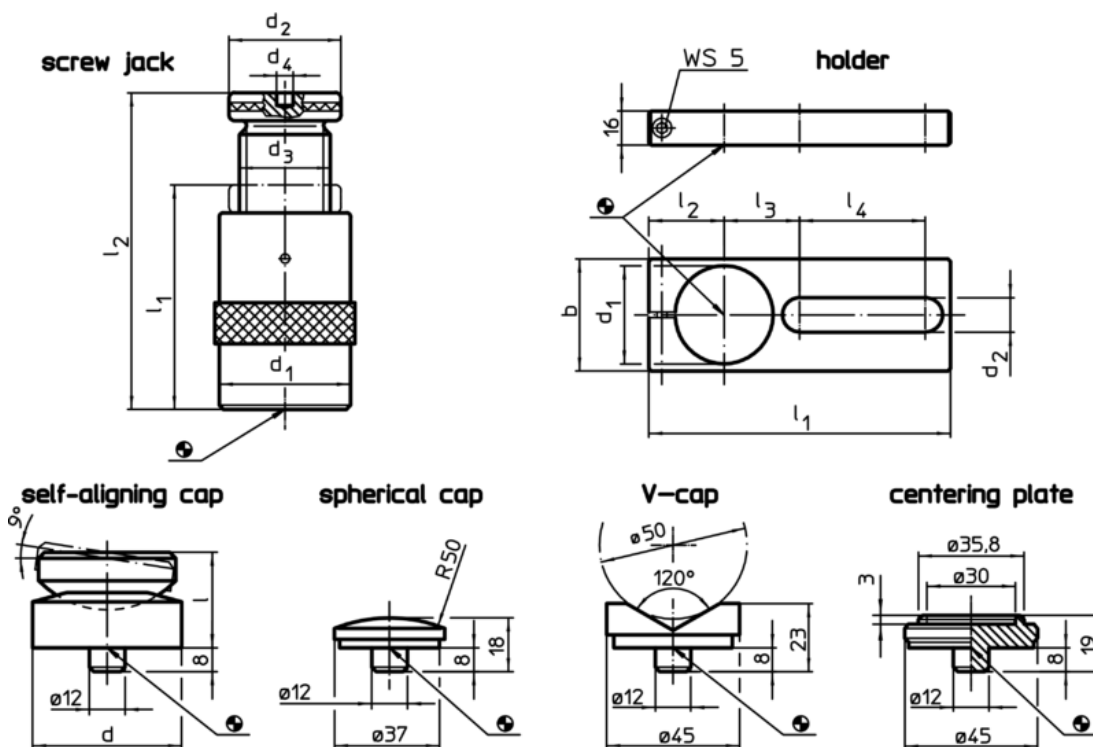
#### holder

- Steel, blackened

#### Screw Jacks

- Steel 1.0503 varnished




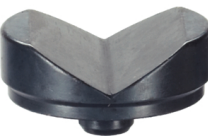

### Drawing



### Order information

l <sub>2</sub> Clamping height max. [mm]	Dimensions					Carrying force [kN]	[g]	Art. No.
	l <sub>1</sub> min.	d <sub>1</sub> [mm]	d <sub>2</sub>	d <sub>3</sub>	d <sub>4</sub> [mm]			
screw jack								
70	50	50	50	Tr 30 x 4	12	60	645	23470.0007

Accessories

	Dimensions									For screw jacks [mm]	 [g]	Art. No.
	d	d <sub>1</sub>	b	d <sub>2</sub>	l	l <sub>1</sub>	l <sub>2</sub>	l <sub>3</sub>	l <sub>4</sub>			
[mm]												
<b>holder</b>												
	-	50	60	20,5	-	190	38	46	90	52/ 70/100	891	<a href="#">23470.0250</a>
<b>self-aligning cap</b>												
	50	-	-	-	32	-	-	-	-	52/ 70/100	399	<a href="#">23470.0350</a>
<b>spherical cap</b>												
	-	-	-	-	-	-	-	-	-	52/ 70/100/140/210/300	74	<a href="#">23470.0171</a>
<b>V-cap</b>												
	-	-	-	-	-	-	-	-	-	52/ 70/100/140/210/300	138	<a href="#">23470.0172</a>
<b>centering plate</b>												
	-	-	-	-	-	-	-	-	-	52/ 70/100	107	<a href="#">23470.0170</a>