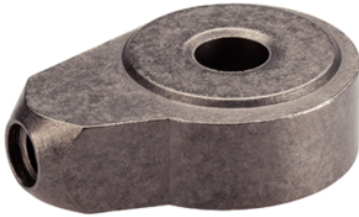


Eccentric Clamping Modules with shaft location

23410.0230

Product Description

The clamping effect remains unchanged and is self-locking in any angle position.



Material

- Sintered steel, case-hardened

More information

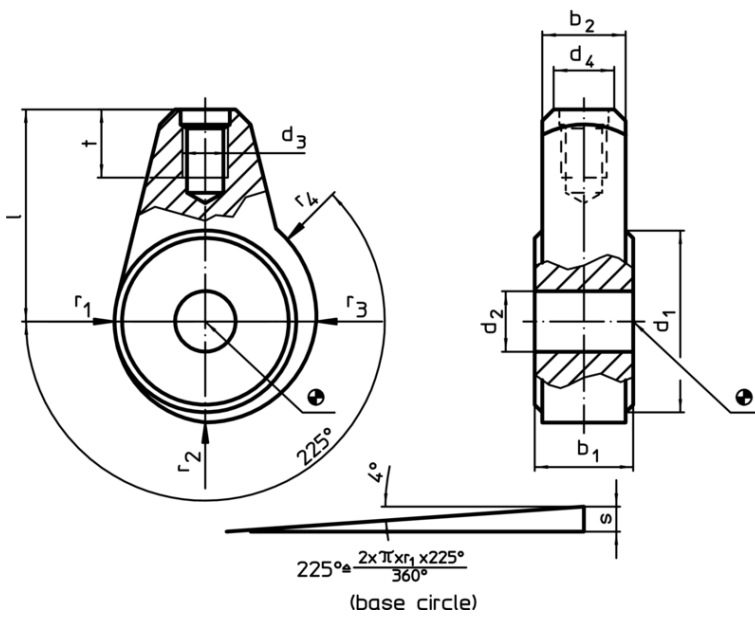
References

Possible applications in combination with e.g. gear lever handles EH 24350.

Further products

- Gear Lever Handles

Drawing



Order information

Dimensions												d ₄ Gear lever handle Ø EH 24350.		Art. No.	
d ₁	d ₂ H9	b ₁ -0,05 -0,15	b ₂	d ₃	l	r ₁	r ₂	r ₃	r ₄	s	t	[mm]	[mm]	[g]	
35	12	17	15	M10	36	17,5	19,42	21,34	22,31	4,8	15		12	150	23410.0230

Application example

