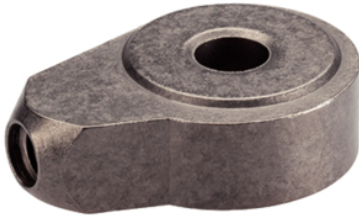


Eccentric Clamping Modules with shaft location

23410.0220

Product Description

The clamping effect remains unchanged and is self-locking in any angle position.



Material

- Sintered steel, case-hardened

More information

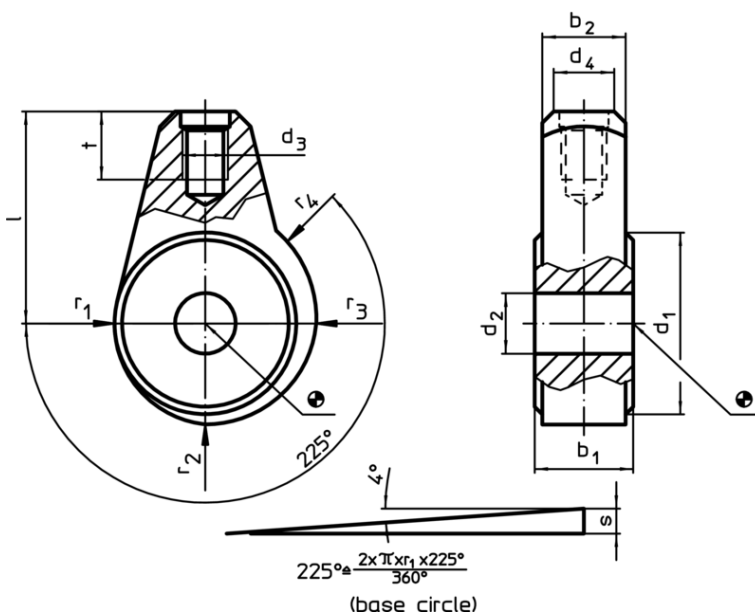
References

Possible applications in combination with e.g. gear lever handles EH 24350.

Further products

- Gear Lever Handles

Drawing



Order information

Dimensions													d ₄ Gear lever handle Ø EH 24350.	[g]	Art. No.
d ₁	d ₂ H9	b ₁ -0,05 -0,15	b ₂	d ₃	l	r ₁	r ₂	r ₃	r ₄	s	t	[mm]			
30	10	15	13	M8	32	15	16,65	18,3	19,12	4,1	12	[mm]	10	100	23410.0220

Application example

