

Eccentric Clamps

23410.0151



Product Description

Eccentric clamps enable fast and safe clamping and releasing with a relatively large adjustment range and high tensing force. The eccentric plain washer enables a stepless radial clamping effect in any clamping position. Furthermore, the eccentric clamp is self-locking. The clamp can be used as a stepless stop by removing the thrust washer.

Material

Gear lever handle

- Stainless steel 1.4305, dull blasted

Body

- Stainless steel 1.4305, nickel-plated

Screw

- Stainless steel 1.4021, heat-treated, nickel-plated

Ball knob

- Thermosetting plastic PF 31, black, DIN 319

Assembly

Fix with screw bolt M 10 (SW 6). Ensure a tightening torque of max. 40 Nm.

Operation

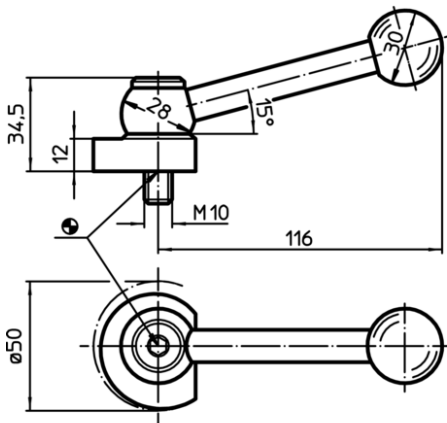
The screw bolt and the washer are adjustable. Once screwed in, the clamping catch can easily be turned to the desired position. For Art. No. 23410.0050 / .0051, the serration helps to put the clamping lever to the preferred position.

More information

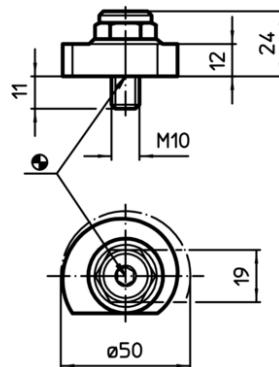
Notes

Left turn type can be supplied on request.

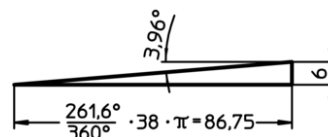
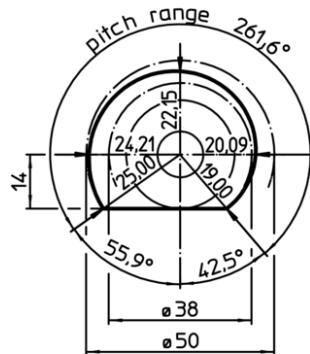
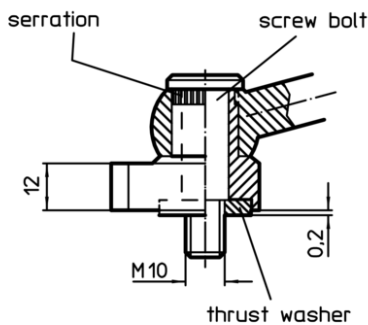
Drawing



picture 1



picture 2



Order information

	Art. No.
with clamping screw – picture 2, Stainless steel	
159	23410.0151