

## Eccentric Clamps

23410.0150



### Product Description

Eccentric clamps enable fast and safe clamping and releasing with a relatively large adjustment range and high tensioning force. The eccentric plain washer enables a stepless radial clamping effect in any clamping position. Furthermore, the eccentric clamp is self-locking. The clamp can be used as a stepless stop by removing the thrust washer.

### Material

#### Gear lever handle

- Steel, ground, blackened

#### Body

- Steel, case-hardened, blackened

#### Screw

- Steel, hardened, blackened

#### Ball knob

- Thermosetting plastic PF 31, black, DIN 319

### Assembly

Fix with screw bolt M 10 (SW 6). Ensure a tightening torque of max. 40 Nm.

### Operation

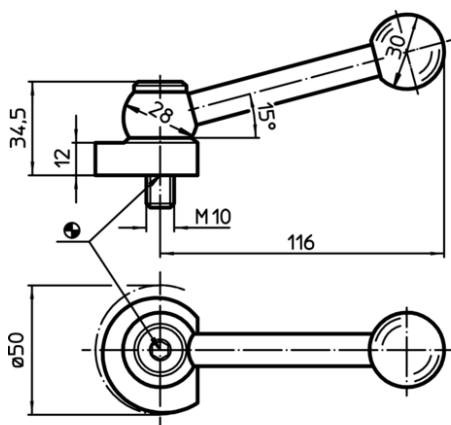
The screw bolt and the washer are adjustable. Once screwed in, the clamping catch can easily be turned to the desired position. For Art. No. 23410.0050 / .0051, the serration helps to put the clamping lever to the preferred position.

### More information

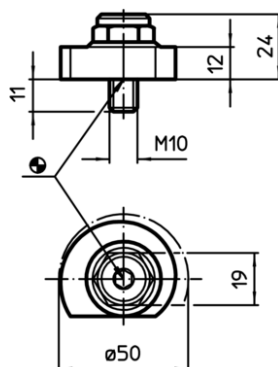
### Notes

Left turn type can be supplied on request.

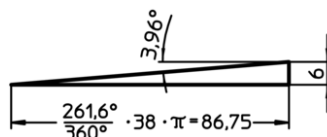
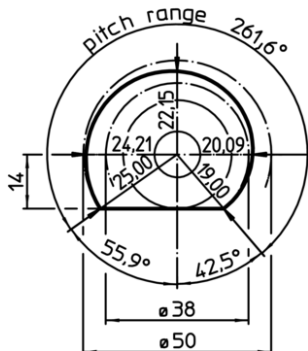
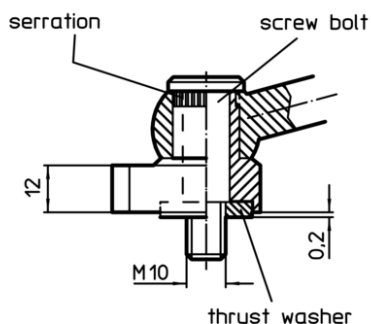
### Drawing



picture 1



picture 2



Order information

	Art. No.
with clamping screw – picture 2, Steel	23410.0150

  
[g]

159