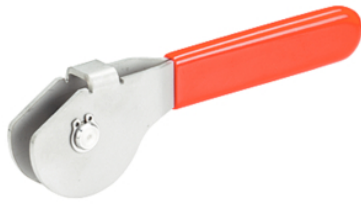


Eccentric Levers with fulcrum pin 23390.0512

Product Description



Material

Fulcrum Pins

- Stainless steel 1.4021, heat-treated

Eccentric part

- Stainless steel 1.4301

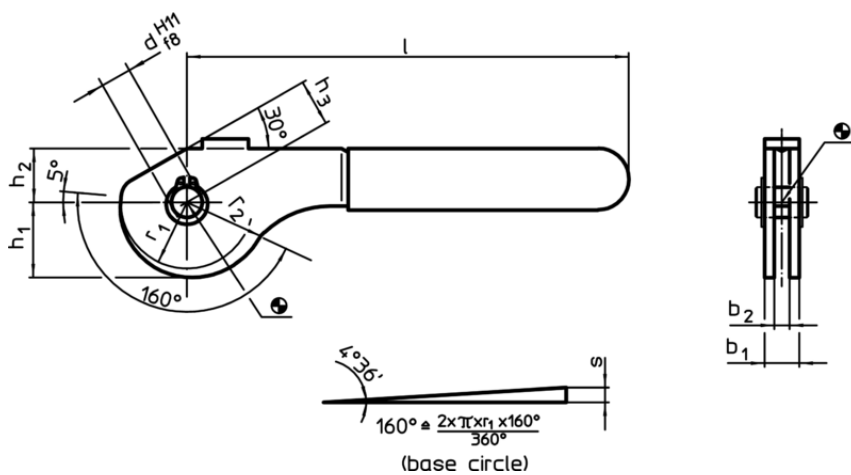
Safety ring

- Stainless steel 1.4310

Plastic cap

- PVC, red

Drawing



Order information

Dimensions									Eccentric stroke	Total stroke	max.		Art. No.
b ₁	d H11 f8	l	r ₁	r ₂	b ₂	h ₁	h ₂	h ₃	s	r ₂ -h ₃	max.		
[mm]									[mm]	[mm]	[°C]	[g]	
Stainless steel													
20	12	157	28	34,29	14	31,81	21	18	6,29	16,29	60	288	23390.0512

Application example

