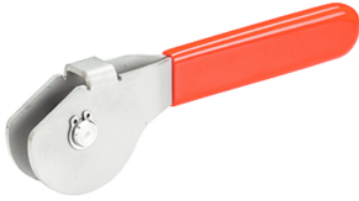


Eccentric Levers · with fulcrum pin
23390.0508

Product Description



Material

Fulcrum Pins

- Stainless steel 1.4021, heat-treated

Eccentric part

- Stainless steel 1.4301

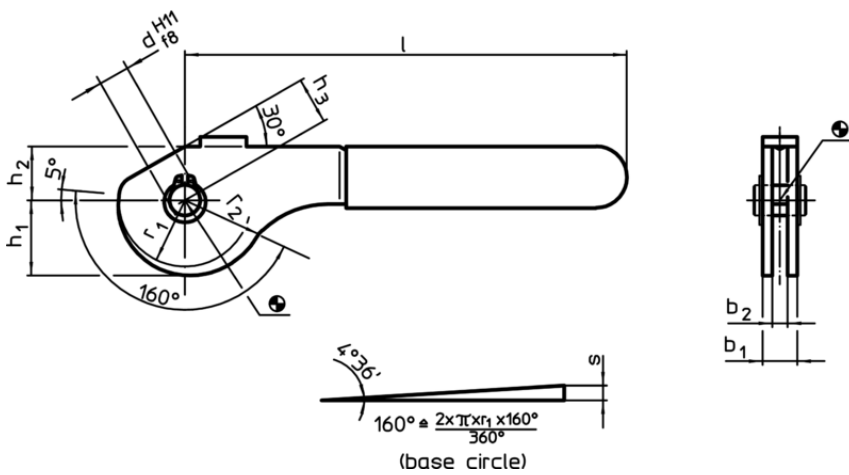
Safety ring

- Stainless steel 1.4310

Plastic cap

- PVC, red

Drawing



Order information

Dimensions									Eccentric stroke	Total stroke	🌡️	🏠	Art. No.
b ₁	d H11 f8	l ~	r ₁	r ₂	b ₂	h ₁	h ₂	h ₃ ~	s	r ₂ ·h ₃	max.	[g]	
[mm]									[mm]	[mm]	[°C]	[g]	
Stainless steel													
13	8	114	17,2	21,07	9	19,54	14	12	3,87	9,07	60	94	23390.0508

Application example

