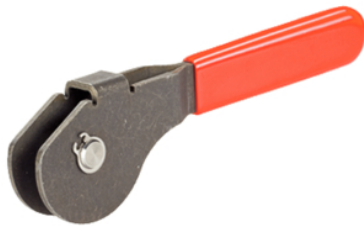


Eccentric Levers with fulcrum pin 23390.0410

Product Description



Material

Fulcrum Pins

- Stainless steel 1.4021, heat-treated

Eccentric part

- Steel St. 52-3, zinc phosphated

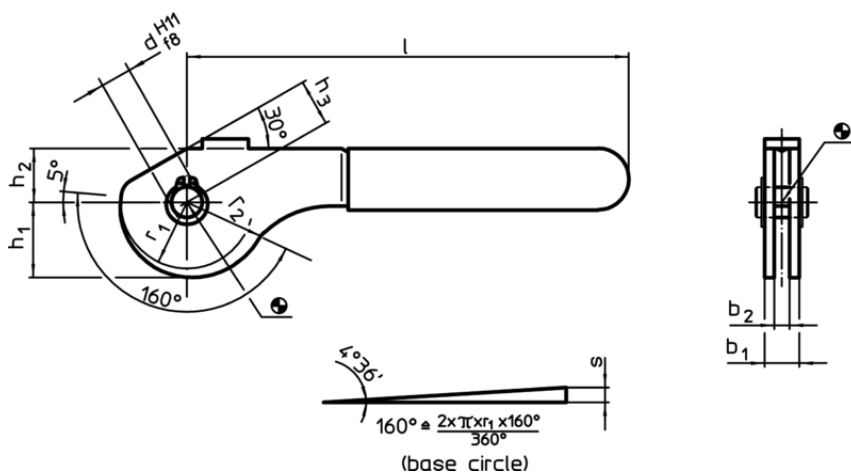
Safety ring

- Stainless steel 1.4310

Plastic cap

- PVC, red

Drawing



Order information

Dimensions									Eccentric stroke	Total stroke	🌡️	📦	Art. No.
b ₁	d H11 f8	l ~	r ₁	r ₂	b ₂	h ₁	h ₂	h ₃ ~	s	r ₂ -h ₃	max.	[g]	
[mm]									[mm]	[mm]	[°C]	[g]	
Steel													
17	10	138	21,6	26,45	12	24,54	17	15	4,85	11,45	60	178	23390.0410

Application example

