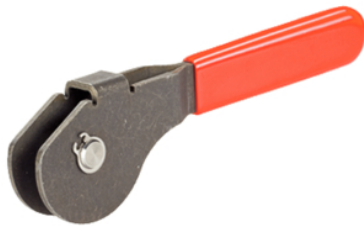


## Eccentric Levers with fulcrum pin 23390.0408

### Product Description



#### Material

##### Fulcrum Pins

- Stainless steel 1.4021, heat-treated

##### Eccentric part

- Steel St. 52-3, zinc phosphated

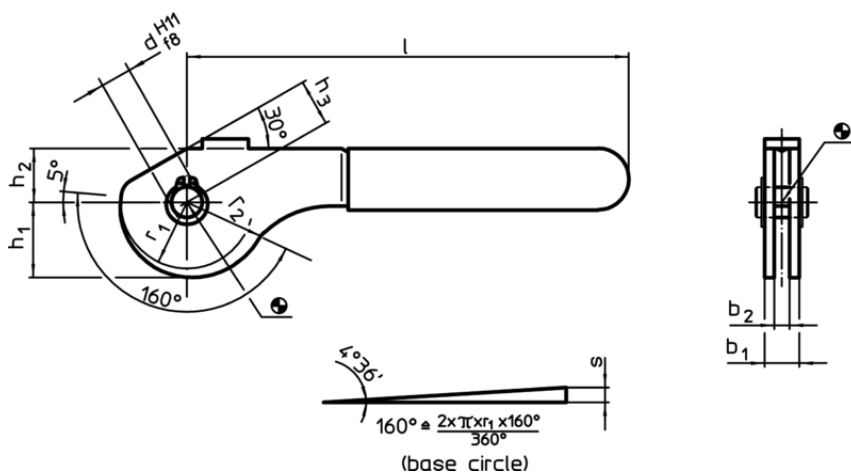
##### Safety ring

- Stainless steel 1.4310

##### Plastic cap

- PVC, red

### Drawing



### Order information

Dimensions									Eccentric stroke	Total stroke	🌡️	🏷️	Art. No.
b <sub>1</sub>	d H11 f8	l	r <sub>1</sub>	r <sub>2</sub>	b <sub>2</sub>	h <sub>1</sub>	h <sub>2</sub>	h <sub>3</sub>	s	r <sub>2</sub> -h <sub>3</sub>	max.	[g]	
[mm]									[mm]	[mm]	[°C]	[g]	
<b>Steel</b>													
13	8	114	17,2	21,07	9	19,54	14	12	3,87	9,07	60	93	23390.0408

Application example

