

Eccentric Quick Clamps• with screw

23390.0220



Product Description

For quick and easy clamping and releasing of workpieces.
When using the "adjustable" design (picture 2) the lever position can be moved.

Material

Support washer

- Thermoplastic PA, glass-fiber reinforced

Lever

- Zinc die-cast, plastic coated, black

Inner parts

- Stainless steel 1.4305

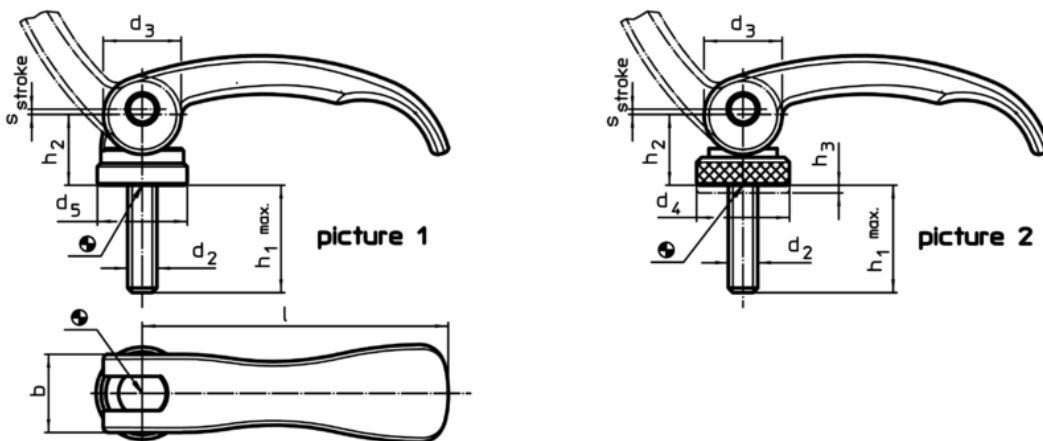
Screw

- Stainless steel 1.4305

Adjusting nut

- Stainless steel 1.4305

Drawing



Order information

| l | d ₂ | Dimensions | | | | | Stroke s at 90° lever position | 🌡️ max. | 🏋️ [g] | Art. No. |
|---|----------------|--|----------------|----------------|------------------------|----|--------------------------------------|------------|-----------|------------|
| | | h ₁ max. in clamping position | d ₃ | d ₅ | h ₂ max. | b | | | | |
| [mm] | | | | | | | | | | |
| with screw – picture 1, Stainless steel | | | | | | | | | | |
| 82 | M8 | 25 | 20 | 22,5 | 19,5 | 20 | 1 | 80 | 130 | 23390.0220 |

Application example

