

## Eccentric Quick Clamps• with screw

23390.0219



### Product Description

For quick and easy clamping and releasing of workpieces.  
When using the "adjustable" design (picture 2) the lever position can be moved.

### Material

#### Support washer

- Thermoplastic PA, glass-fiber reinforced

#### Lever

- Zinc die-cast, plastic coated, black

#### Inner parts

- Stainless steel 1.4305

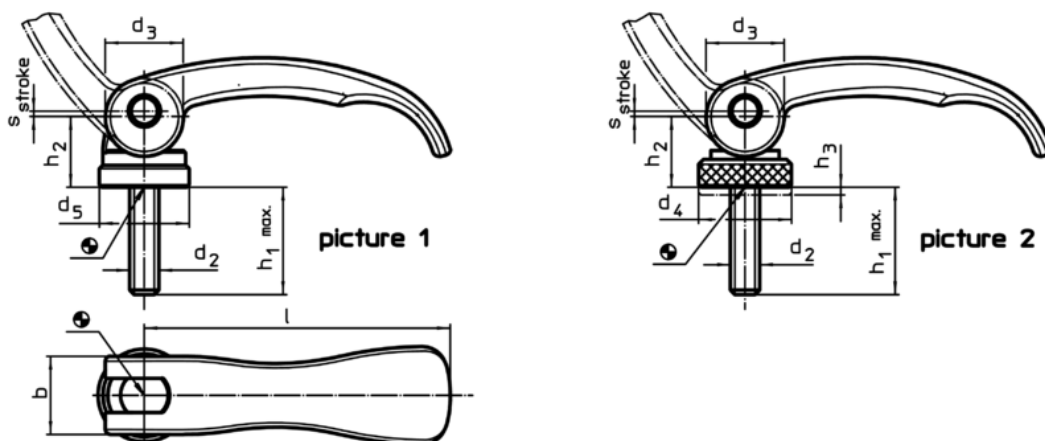
#### Screw

- Stainless steel 1.4305

#### Adjusting nut

- Stainless steel 1.4305

### Drawing



### Order information

l	d <sub>2</sub>	Dimensions					Stroke s at 90° lever position	🌡️ max.	🏋️ [g]	Art. No.				
		h <sub>1</sub> max. in clamping position	d <sub>3</sub>	d <sub>5</sub>	h <sub>2</sub> max.	b								
										[mm]	[mm]	[°C]	[g]	
with screw – picture 1, Stainless steel														
82	M8	20	20	22,5	19,5	20	1	80	129	23390.0219				

### Application example

