

Double Eccentric Levers with fulcrum pin 23380.0012

Product Description

Clamping on both sides.



Material

Fulcrum Pins

- Steel, case-hardened

Lever

- Alloyed case-hardened steel, case hardened, blackened

Safety ring

- Spring steel

More information

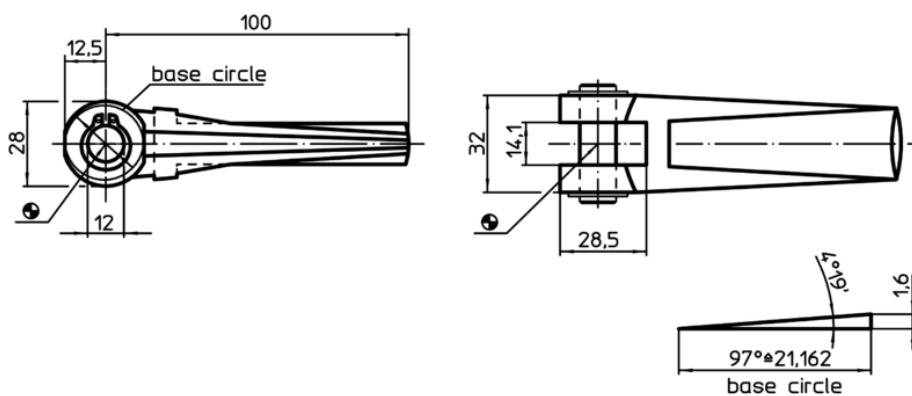
References

Can be used in combination with swing bolts DIN 444, M12 (EH 22980.).

Further products

- Swing Bolts, DIN 444, form B
- Swing Bolts, DIN 444, form B, quality 8.8 high precision design

Drawing



Order information

Dimensions		Art. No.
Bore Hole		
[mm]	[g]	
12	334	23380.0012

Application example

