

## Shaft Clamps

23341.0030

### Product Description

Shaft clamps used to clamp round workpieces, e.g. shafts, axels, tubes or rods both axially and radially.



#### Material

##### Body

- Steel, blackened

##### Clamping screw

- Steel, zinc-plated (DIN 912)

#### Assembly

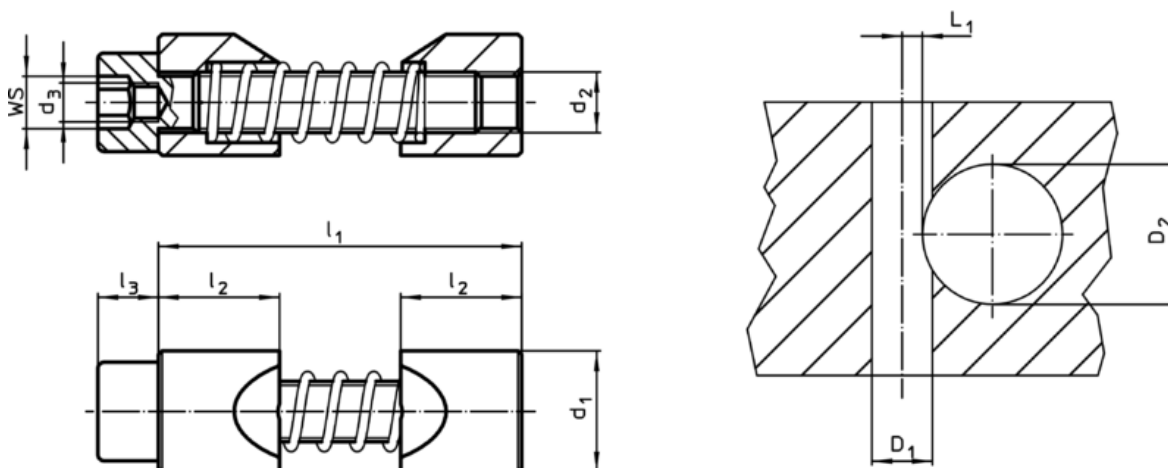
1. Expand the clamping jaws to the diameter of the shaft to be clamped.
2. Insert shaft clamp into hole using the assembly tool.
3. Insert and position the shaft.
4. Clamp using cylinder screw WS (observe tightening torque).

#### More information

#### Notes

The thread  $d_3$  serves to hold the assembly tool (optional).


### Drawing



### Order information

$d_1$ h11	$d_2$	Dimensions				WS	Tightening torque max.	Location hole			Art. No.	
		$d_3$	$l_1$ max.	$l_2$	$l_3$			Hub bore $D_1$ H7	Shaft diameter $D_2$	$L_1$ +0,2		
[mm]						[mm]	[Nm]	[mm]			[g]	
30	M16	M10	81	30	16	14	206	30	60 – 125	7,9	346	23341.0030

### Accessories

	WS [mm]		Art. No.
special hex key			
	14	248	23341.1030

Application example

