

Centering Clamping Elements with clamping balls, operation from the bottom

23340.0322



Product Description

To be used for accurate centering and clamping in blind holes of workpieces with locating hole. Exact self-centering with a precision of $\pm 0,025$ mm. The clamping balls frictionally center and hold workpieces with raw or pre-machined surfaces down to the bearing points. Large adjustment stroke and a small building height are a feature of this center clamping element.

Mounting from either top or bottom.

Material

Body

- Tool steel, hardened, blackened

Spring

- Stainless steel

Clamping balls

- Stainless steel 1.4112, hardened and ground

Assembly

Assembly instruction for mounting from the top: Take-off clamping plate and screw. Fasten body by means of threaded pin via WS₂.

Operation

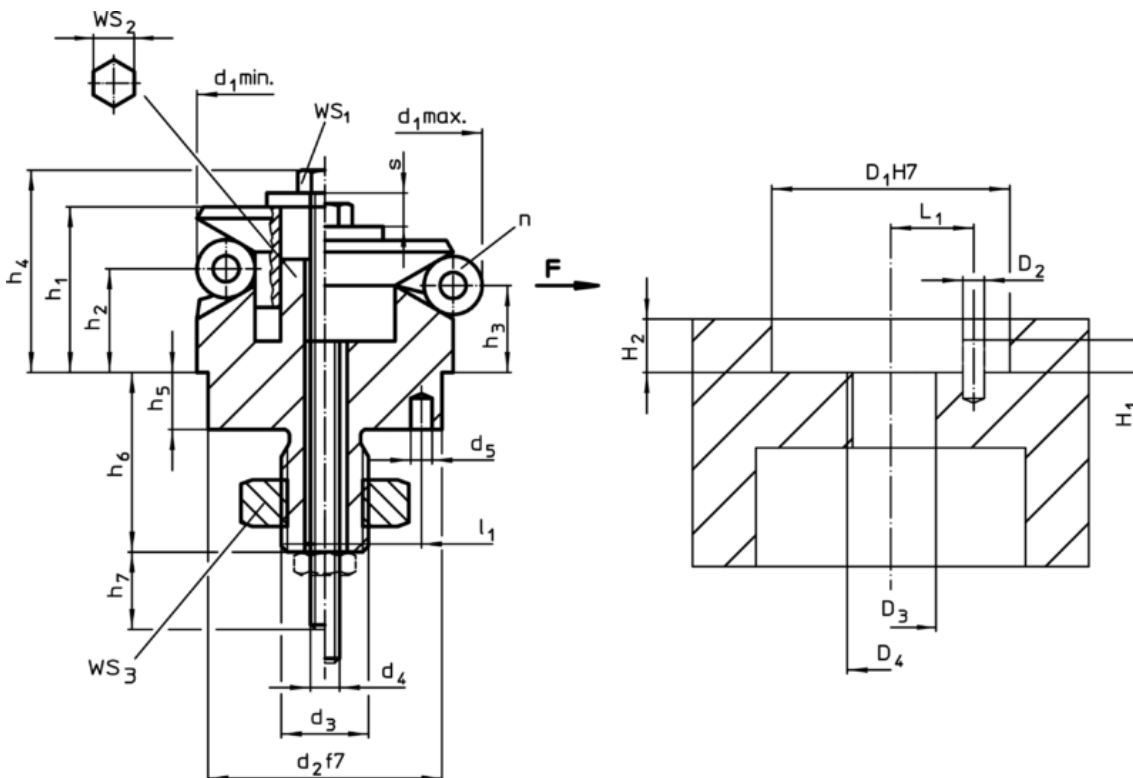
Operation from bottom manually or automatically with either pneumatic or hydraulic actuation.

More information

Further products

- Centering Clamping Elements, with clamping segments, operation from the bottom

Drawing



Order information

Dimensions															Number of balls n	Stroke s [mm]	WS			Clamping force F max. [kN]	Tightening torque max. [Nm]	Location hole D H7 H [mm]	Art. No.
d ₁ min.	d ₁ max.	d ₂ f7	d ₃	d ₄	d ₅ +0,3	h ₁	h ₂	h ₃	h ₄ -2	h ₅	h ₆ +1	h ₇ ~	l ₁ ±0,1	Ball Ø			WS ₁	WS ₂	WS ₃				
[mm]																	[mm]	[mm]	[mm]	[kN]	[Nm]	[mm]	[g]
22,5	26,5	20	M10	M5	3	19,6	14,1	12,9	24,3	6	17,4	15	7	4	3	2,3	8	6	16	4,5	10	2081113577	23340.0322

Application example

