

Toggle Clamps Push-Pull Type· with angle base

23330.2002



Product Description

Due to their favourable power to movement ratio and their easy action the toggle clamps are versatile applicable for a wide range of uses.

These toggle clamps can be used in the metal working industry when drilling, welding, bending, grinding, testing and fitting as well as in the wood and plastic industry in glueing, drilling, cutting and milling jigs.

The "toggle" principle of the toggle clamp allows a large and quick opening of the clamp. If unclamped the work pieces are completely cleared for unimpeded removal. The large power transmission results maximum clamping force by low hand force. The clamps are self-arresting they remain locked, resisting the force produced when machining components.

The toggle clamps are manufactured from high quality components and are designed for continuous use.

A oil resistant ergonomic 2-component handle, with increased grip area with soft surface for high ease of use.

Material

Clamp

- Steel, zinc-plated by galvanization, passivated

Rivet

- Stainless steel

Handle

- Plastic

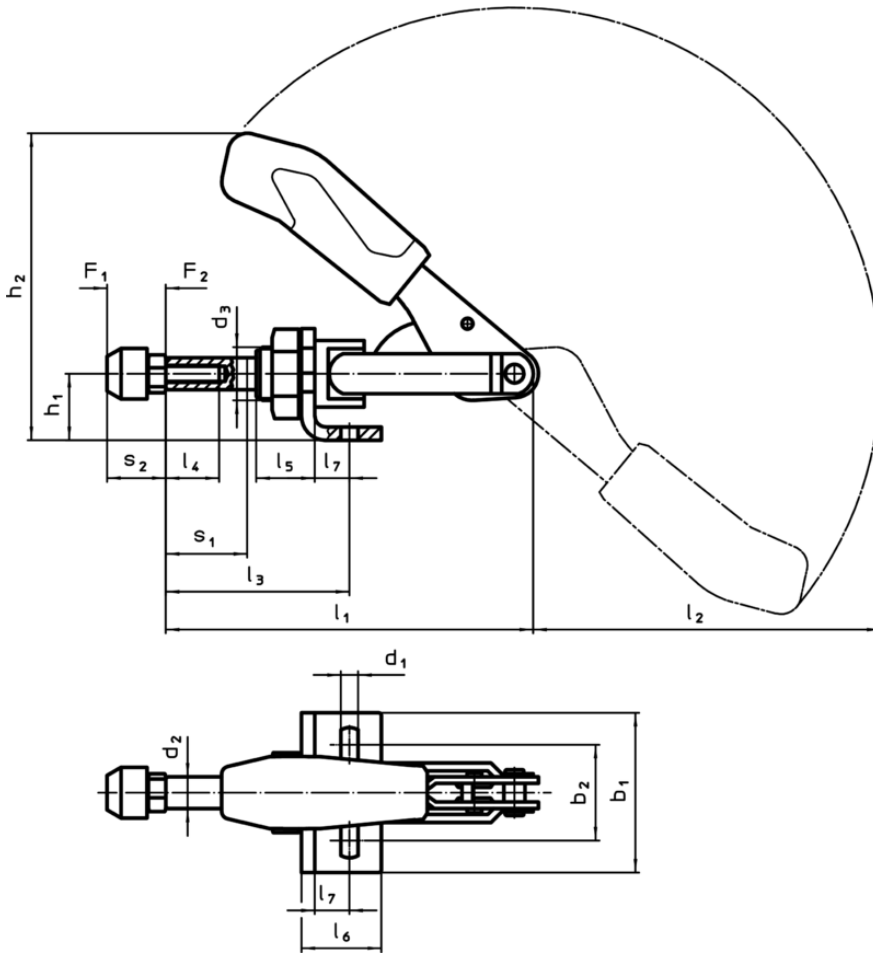
Clamping screw

- Steel, tempered, zinc-plated by galvanization

Clamping cap

- Rubber, black

Drawing



Order information

Nominal size	Dimensions																		Stroke s ₁ [mm]	Holding force		Temperature		Art. No.	
	Clamping screw	d ₁	d ₂	d ₃	b ₁	b ₂	h ₁	h ₂	l ₁	l ₂	l ₃ min.	l ₃ max.	l ₄	l ₅	l ₆	l ₇	s ₂ min.	s ₂ max.		F ₁ [kN]	F ₂ [kN]	min. [°C]	max. [°C]		[g]
2	M4 x 20	4,5	8	M12 x 1,5	30	16 - 19,5	15	60,5	91	74	24,5	44,5	20	16	20	7	12	20	20	1	1	-10	80	125	23330.2002

Accessories

d ₂ [mm]	Art. No.
M 4 x 20	23330.9011

Application example

