

Clamping Jaws for floating clamp M 16

23320.0066



Product Description

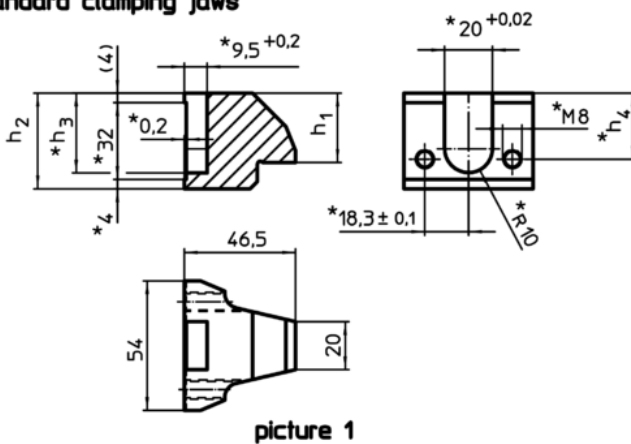
The clamping jaws can be used for the floating clamp 23320.0016 to increase or decrease the clamping range.

Material

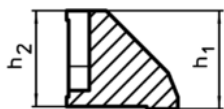
- Case hardened steel, nitrided, manganese phosphate treated

Drawing

Standard clamping jaws



Exchange clamping jaws



* Specifications and material of especially designed jaws have to be taken into consideration.

Order information

Clamping range [mm]	Dimensions [mm]				[g]	Art. No.
	h ₁	h ₂	h ₃	h ₄		
upper exchange clamping jaw – picture 4						
35 – 50	18,6	54	47,3	41,6	490	23320.0066

Application example

