

Clamping Jaws for floating clamp M 16

23320.0062



Product Description

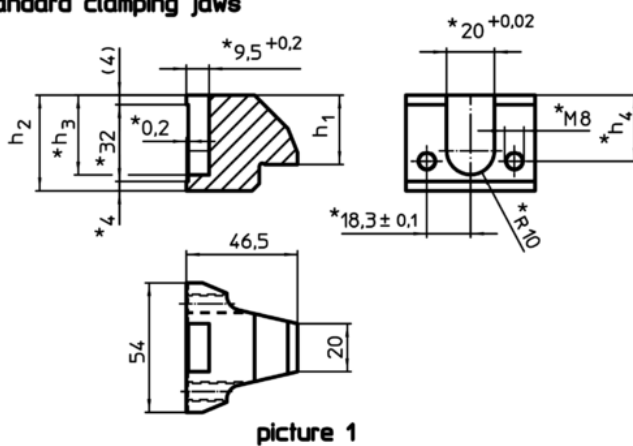
The clamping jaws can be used for the floating clamp 23320.0016 to increase or decrease the clamping range.

Material

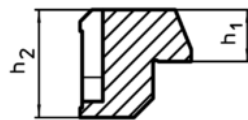
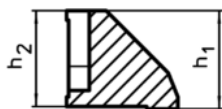
- Case hardened steel, nitrided, manganese phosphate treated

Drawing

Standard clamping jaws



Exchange clamping jaws



* Specifications and material of especially designed jaws have to be taken into consideration.

Order information

Clamping range [mm]	Dimensions				[g]	Art. No.
	h ₁	h ₂	h ₃ [mm]	h ₄		
upper exchange clamping jaw – picture 2						
0 – 14	41	40	33,3	27,6	380	23320.0062

Application example

