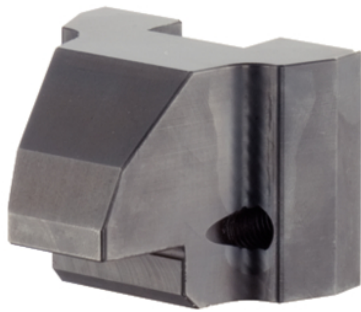


Clamping Jaws for floating clamp M 16

23320.0060



Product Description

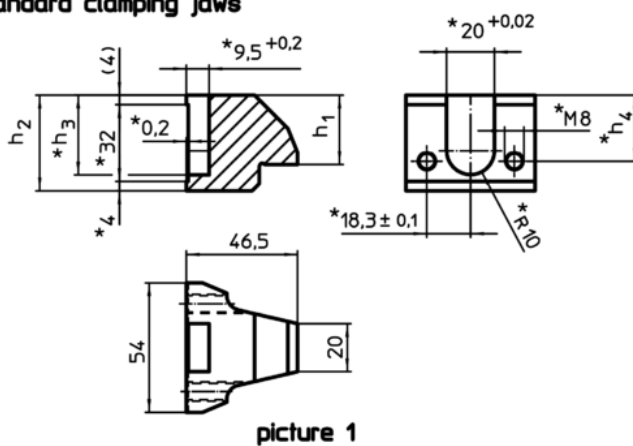
The clamping jaws can be used for the floating clamp 23320.0016 to increase or decrease the clamping range.

Material

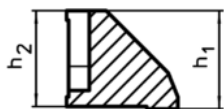
- Case hardened steel, nitrided, manganese phosphate treated

Drawing

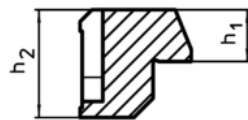
Standard clamping jaws



Exchange clamping jaws



picture 2



picture 3



picture 4

* Specifications and material of especially designed jaws have to be taken into consideration.

Order information

Clamping range [mm]	Dimensions [mm]				[g]	Art. No.
	h ₁	h ₂	h ₃	h ₄		
upper standard clamping jaw – picture 1						
10 – 25	29	40	33,3	27,6	402	23320.0060

Application example

