

Height Adjusting Cylinders

23310.0166



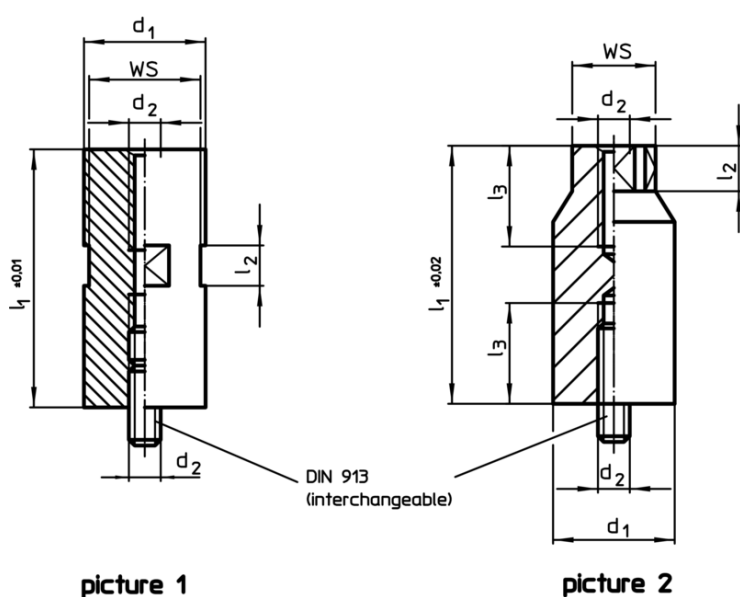
Product Description

For increasing the clamping height of down-thrust clamps EH 23310.

Material

- Steel, case-hardened, blackened, ground

Drawing



picture 1

picture 2

Order information

d ₁ h9	l ₁ ±0,01	Dimensions		WS [mm]	[g]	Art. No.
		d ₂ [mm]	l ₂			
picture 1						
60	70	M16	20	55	1493	23310.0166

Application example

