

Down-Thrust Clamps· low construction, size 44

23310.0035



Product Description

Universal mechanical clamping element for fast and comfortable changing and clamping of workpieces by means of manually swivelling clamping claw.

Clamps provide the following advantages:

- rapid manual clamping by means of a threaded spindle or eccentric lever
- easy and rapid changing of work pieces by swinging away the clamping head to the left or right
- low construction, thus little space taken-up for clamping
- simple adaption even to extreme clamping heights, using height adjusting cylinders

Material

- Case-hardened steel, case-hardened, blackened and ground

Assembly

Down-thrust clamps can be fastened in two different ways:

1. with a nut for T-slots (DIN 508)
2. with a set screw directly in the mounting plate e.g. of a fixture

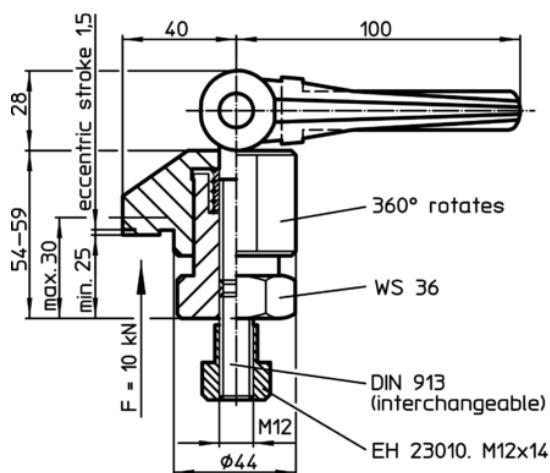
The cylinder has to rest on the entire surface.

More information

Further products

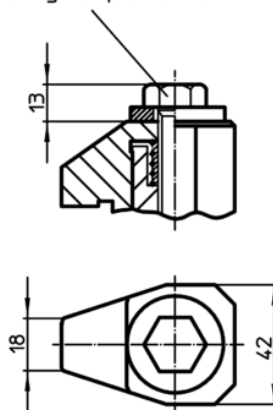
- Height Adjusting Cylinders
- Spacers
- Wrenches

Drawing




picture 1

with clamping screw M12 (WS 19)
tightening torque max. 30 Nm



picture 2

Order information

	Art. No.
 [g]	
with clamping screw – picture 2	
708	23310.0035

Application example

