

## Down-Thrust Clamps · size 25

23310.0024



### Product Description

Universal mechanical clamping element for fast and comfortable changing and clamping of workpieces by means of manually swivelling clamping claw.

The down-thrust clamps provide the following advantages:

- Rapid manual clamping by means of clamping screw, adjustable clamping lever or adjustable eccentric quick clamp.
- Easy and quick changing of the workpiece by swinging the clamping head to the left or right.
- Reduced space requirements due to the compact design.
- Easy adaption even to larger clamping heights by means of height adjusting cylinders.

### Material

- Case-hardened steel, case-hardened, blackened and ground

### Assembly

Down-thrust clamps can be fastened in two different ways:

1. with a nut for T-slots (DIN 508)
2. with a set screw directly in the mounting plate e.g. of a fixture

The cylinder has to rest on the entire surface.

### More information

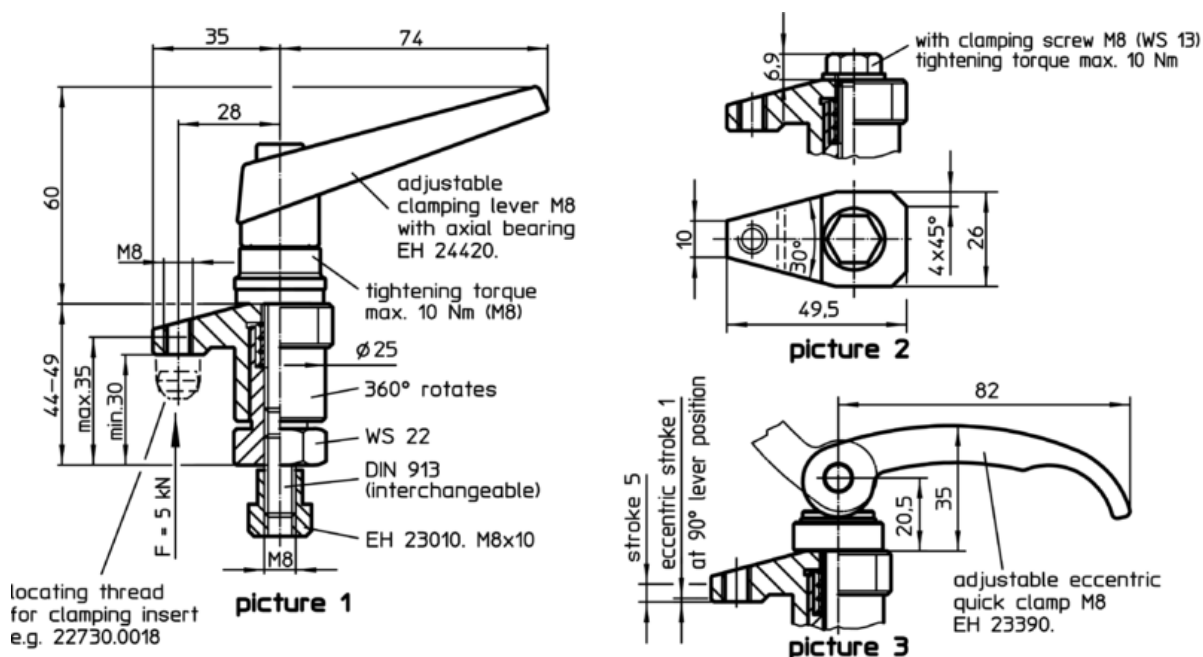
### References

The clamping height can be increased with EH 23310. height adjusting cylinders and EH 1007. washers, and equally lowered by using clamping elements e.g. EH 22730.

### Further products

- Height Adjusting Cylinders
- Spacers

### Drawing



### Order information

Art. No.
[g]
with adjustable clamping lever with axial bearing – picture 1
363
23310.0024

Application example

