

Pitbull Clamps

23290.0068



Product Description

Pitbull® clamps for low mounting height with a high clamping force and down hold effect. The O-ring serves to lift the clamp off when releasing.

Material

Body

- Steel, hardened

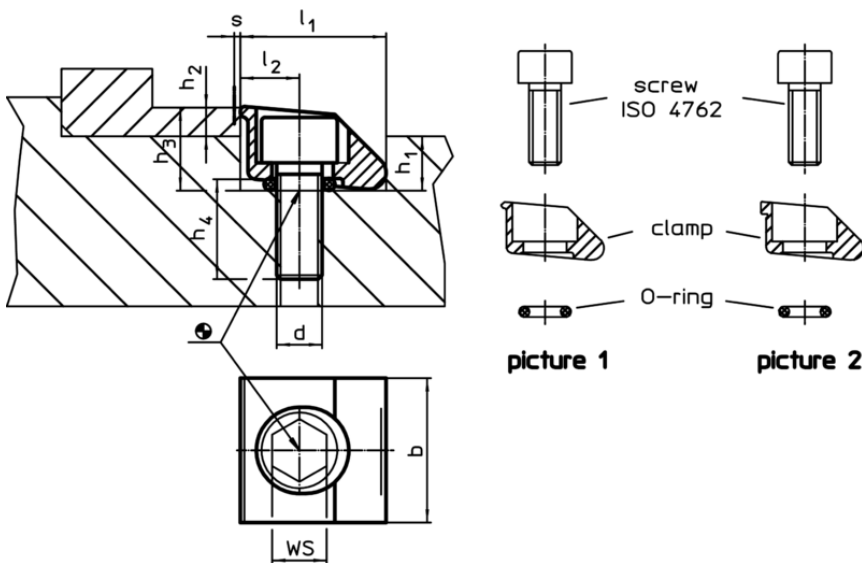
Screw

- Heat-treated steel, heat treated

O-ring

- NBR

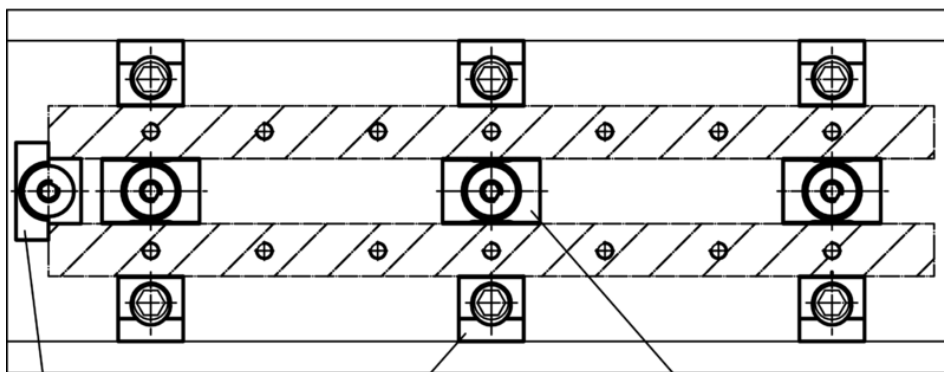
Drawing



Order information

d	b	Dimensions							Clamping way s	WS	Clamping force max.	Tightening torque max.	Temperature		Weight	Art. No.
		l ₁ H9	l ₂	h ₁	h ₂ min.	h ₃ ~	h ₄ ~	min.					max.			
[mm]																
blunt edged – picture 2																
M12	38,1	38,1	15,2	16,3	9,5	25,8	21	1,9	10	22	140	-30	80	201	23290.0068	

Application example



Stop
23290.0104

Pitbull-Clamp
e.g. 23290.0052

Clamping Claw
e.g. 23290.0101