

## Pitbull Clamps

23290.0064



### Product Description

Pitbull® clamps for low mounting height with a high clamping force and down hold effect. The O-ring serves to lift the clamp off when releasing.

### Material

#### Body

- Steel, hardened

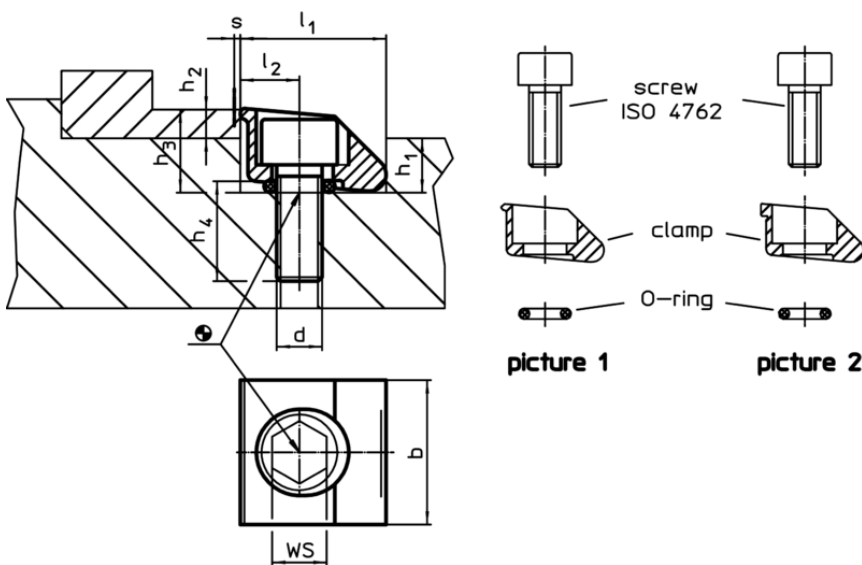
#### Screw

- Heat-treated steel, heat treated

#### O-ring

- NBR

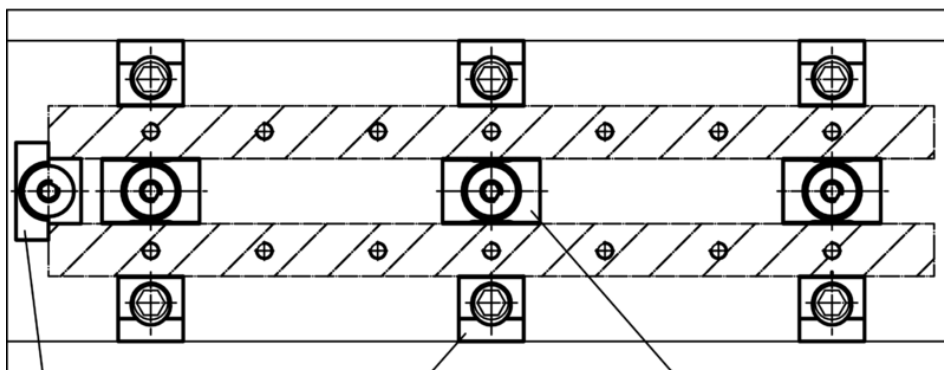
### Drawing



### Order information

d	b	Dimensions						Clamping way s	WS	Clamping force max.	Tightening torque max.	Temperature		Weight [g]	Art. No.
		l <sub>1</sub> H9	l <sub>2</sub>	h <sub>1</sub>	h <sub>2</sub> min.	h <sub>3</sub> ~	h <sub>4</sub> ~					min.	max.		
		[mm]						[mm]	[mm]	[kN]	[Nm]	[°C]			
<b>blunt edged – picture 2</b>															
M6	19,1	19,05	7,6	7,1	3,8	10,9	11	0,6	5	5,7	17	-30	80	20	23290.0064

Application example



Stop  
23290.0104

Pitbull-Clamp  
e.g. 23290.0052

Clamping Claw  
e.g. 23290.0101