

Pitbull Clamps

23290.0062



Product Description

Pitbull® clamps for low mounting height with a high clamping force and down hold effect. The O-ring serves to lift the clamp off when releasing.

Material

Body

- Steel, hardened

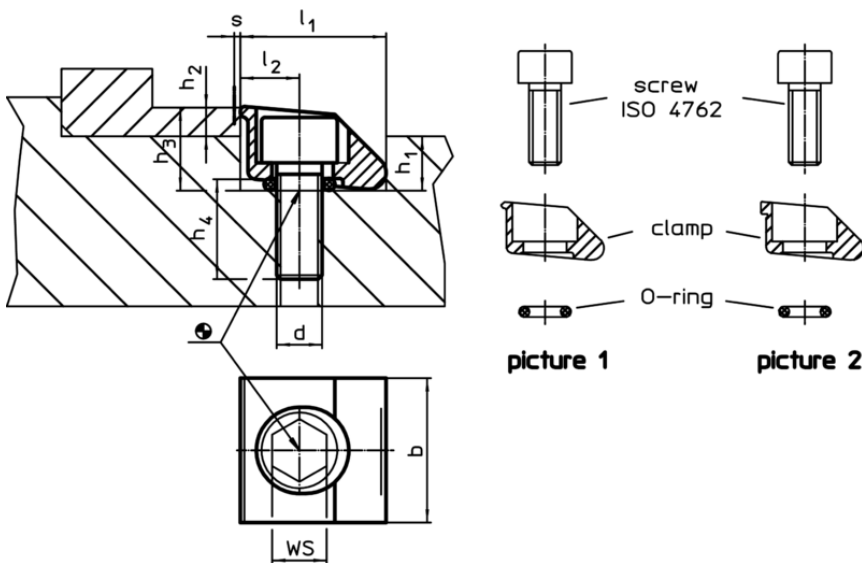
Screw

- Heat-treated steel, heat treated

O-ring

- NBR

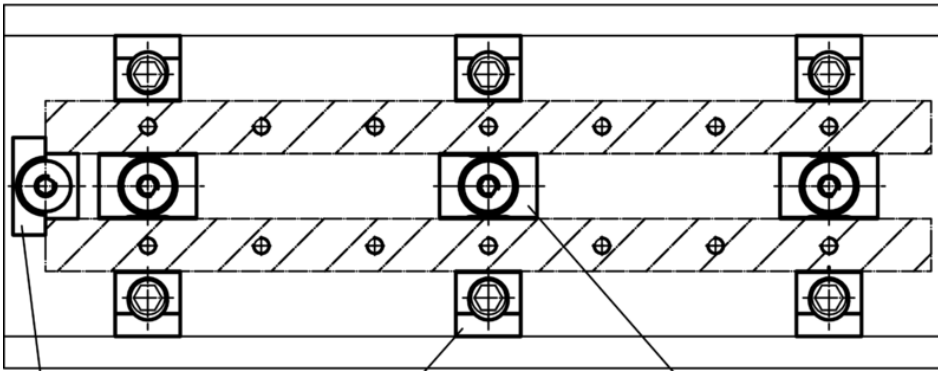
Drawing



Order information

Dimensions								Clamping way	WS	Clamping force	Tightening torque	Temperature		Weight	Art. No.
d	b	l ₁ H9	l ₂	h ₁	h ₂ min.	h ₃ ~	h ₄ ~	s	[mm]	max.	max.	min.	max.		
[mm]								[mm]	[mm]	[kN]	[Nm]	[°C]			
blunt edged – picture 2															
M4	12,7	12,7	5,1	4,8	2,6	7,4	8	0,4	3	2,6	6	-30	80	6	23290.0062

Application example



Stop
23290.0104

Pitbull-Clamp
e.g. 23290.0052

Clamping Claw
e.g. 23290.0101