

Pitbull Clamps

23290.0056



Product Description

Pitbull® clamps for low mounting height with a high clamping force and down hold effect. The O-ring serves to lift the clamp off when releasing.

Material

Body

- Steel, hardened

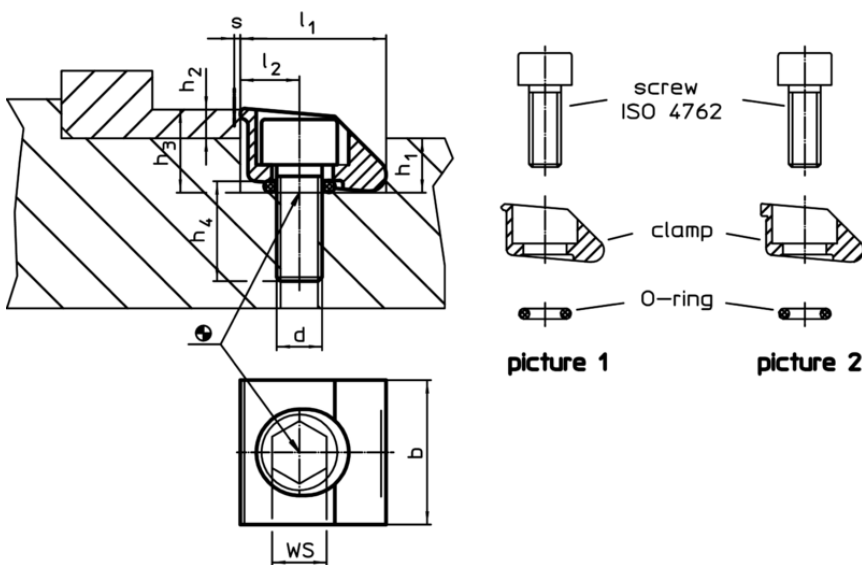
Screw

- Heat-treated steel, heat treated

O-ring

- NBR

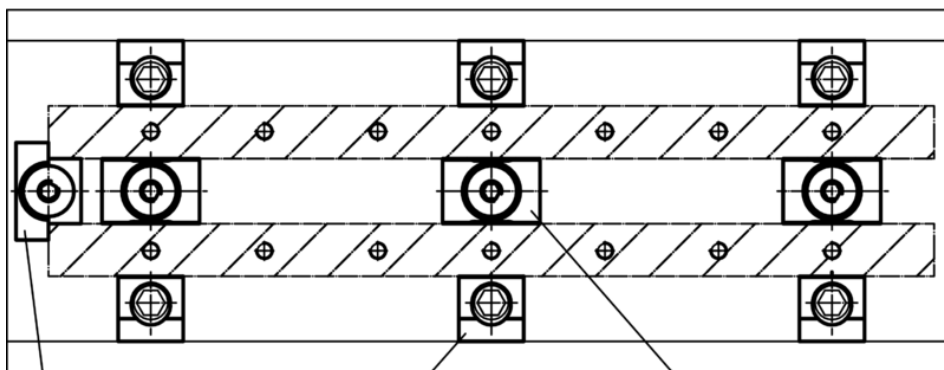
Drawing



Order information

d	b	Dimensions						Clamping way s	WS	Clamping force max.	Tightening torque max.	Temperature		Weight [g]	Art. No.						
		l_1 H9	l_2	h_1	h_2 min.	h_3 ~	h_4 ~					min.	max.								
															[mm]	[mm]	[kN]	[Nm]	[°C]	[g]	
with knife edge – picture 1																					
M10	25,4	25,4	10,2	11,4	6,4	17,8	17	1,2	8	15	80	-30	80	63	23290.0056						

Application example



Stop
23290.0104

Pitbull-Clamp
e.g. 23290.0052

Clamping Claw
e.g. 23290.0101