

Pitbull Clamps

23290.0054



Product Description

Pitbull® clamps for low mounting height with a high clamping force and down hold effect. The O-ring serves to lift the clamp off when releasing.

Material

Body

- Steel, hardened

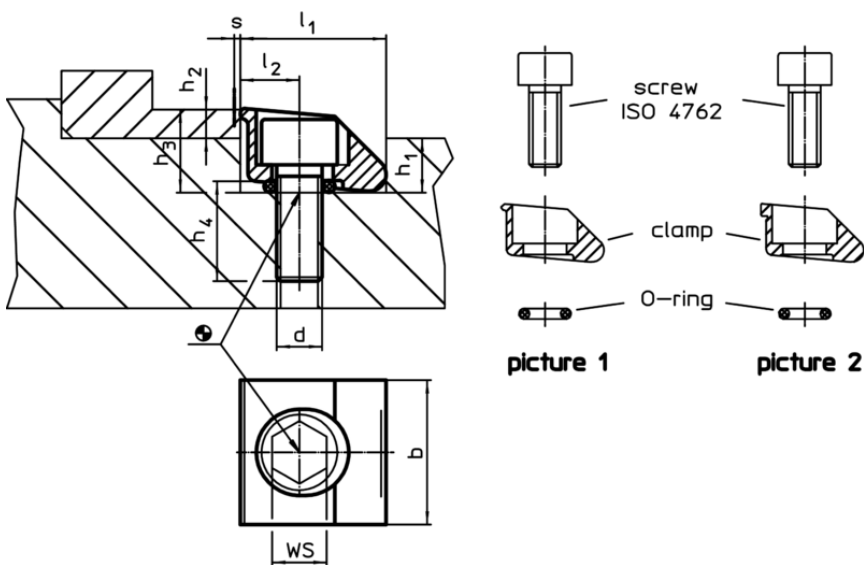
Screw

- Heat-treated steel, heat treated

O-ring

- NBR

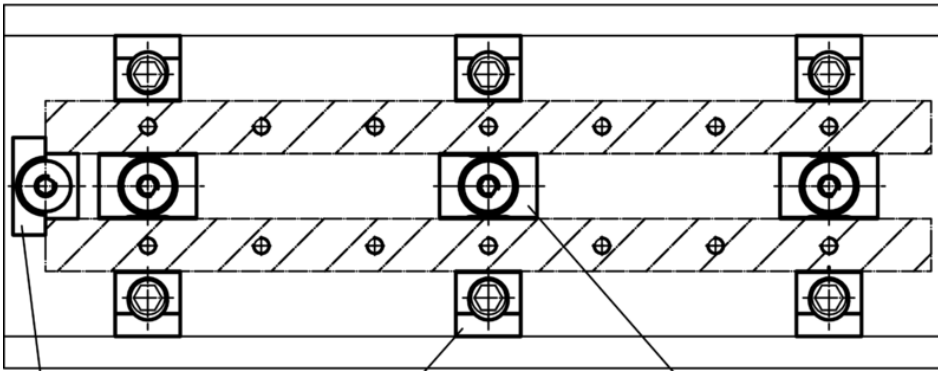
Drawing



Order information

| d | b | Dimensions | | | | | | Clamping way s | WS | Clamping force max. | Tightening torque max. | Temperature | | Weight [g] | Art. No. |
|------------------------------------|------|----------------------|----------------|----------------|------------------------|---------------------|---------------------|-------------------|------|---------------------------|------------------------------|-------------|------|---------------|------------|
| | | l ₁ H9 | l ₂ | h ₁ | h ₂ min. | h ₃ ~ | h ₄ ~ | | | | | min. | max. | | |
| | | [mm] | | | | | | [mm] | [mm] | [kN] | [Nm] | [°C] | | | |
| with knife edge – picture 1 | | | | | | | | | | | | | | | |
| M6 | 19,1 | 19,05 | 7,6 | 7,1 | 3,8 | 10,9 | 11 | 0,6 | 5 | 3,8 | 17 | -30 | 80 | 20 | 23290.0054 |

Application example



Stop
23290.0104

Pitbull-Clamp
e.g. 23290.0052

Clamping Claw
e.g. 23290.0101