

## Pitbull Clamps

23290.0052



### Product Description

Pitbull® clamps for low mounting height with a high clamping force and down hold effect. The O-ring serves to lift the clamp off when releasing.

### Material

#### Body

- Steel, hardened

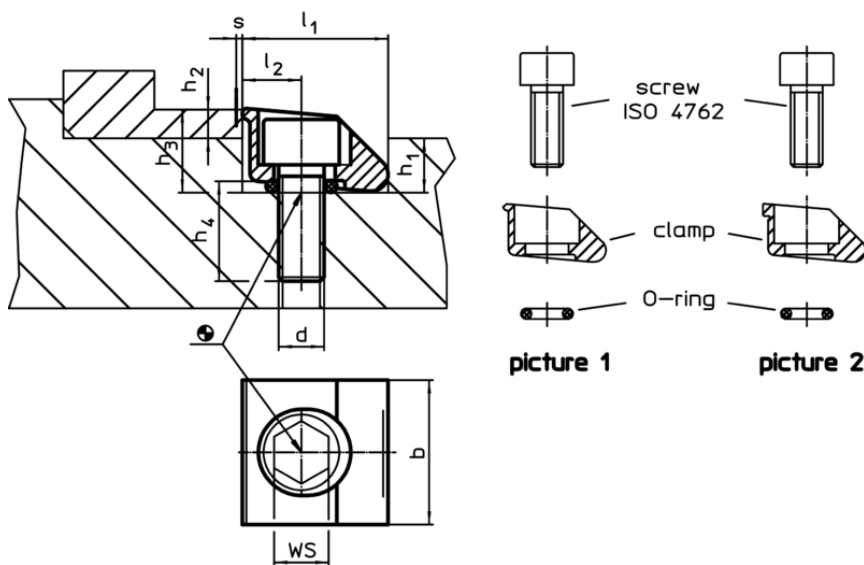
#### Screw

- Heat-treated steel, heat treated

#### O-ring

- NBR

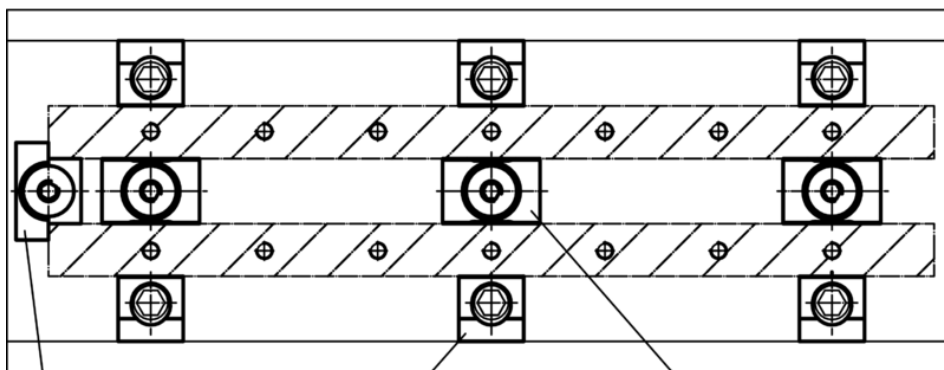
### Drawing



### Order information

d	b	Dimensions						Clamping way s	WS	Clamping force max. [kN]	Tightening torque max. [Nm]	Temperature		Weight [g]	Art. No.
		l <sub>1</sub> H9	l <sub>2</sub>	h <sub>1</sub>	h <sub>2</sub> min.	h <sub>3</sub> ~	h <sub>4</sub> ~					min.	max.		
with knife edge – picture 1															
M4	12,7	12,7	5,1	4,8	2,6	7,4	8	0,4	3	2,6	6	-30	80	6	23290.0052

Application example



Stop  
23290.0104

Pitbull-Clamp  
e.g. 23290.0052

Clamping Claw  
e.g. 23290.0101