

Stops• cylindrical  
23280.0128



Product Description

The T-slot guide enables a quick and precise location of the workpiece. The cylindrical form of the stop facilitates to determine the 0-point coordinate. The short form, which is ground to a height tolerance of  $\pm 0,01$  mm, can also be used for locating.

Material

Stop

- Steel, case-hardened, ground

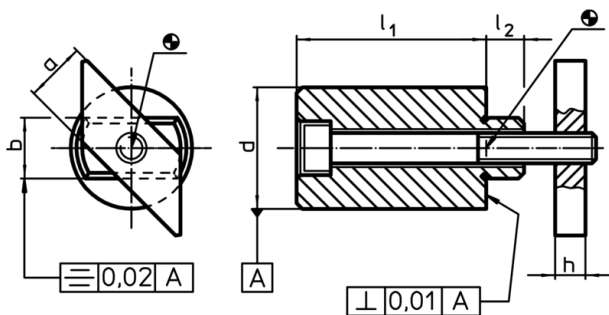
Holding plate

- Steel, blackened


Screw

- Steel, quality 8.8 (ISO 4762)

Drawing



Order information

T-slot size h6 [mm]	$l_1$ $\pm 0,01$	a -0,6	Dimensions d $\pm 0,01$ [mm]	h	$l_2$	Screw ISO 4762 [mm]	 [g]	Art. No.
28	25	22	46	16	20	M12 x 60	661	23280.0128

Application example

