

Eccentric Clamping Washers

23270.0216



Product Description

The eccentric clamp washers are especially suitable for the clamping of raw parts, e.g. cut-off portions, cast iron parts and forgings.

Material

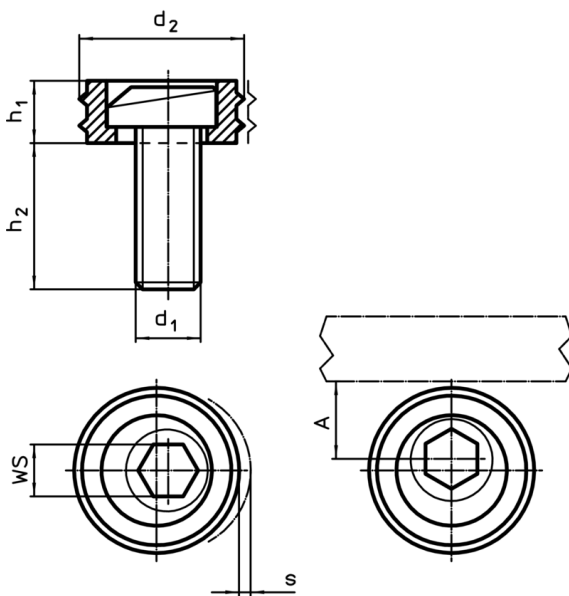
Eccentric screw

- Steel

Body

- Steel, case-hardened

Drawing



Order information

d ₁	d ₂	Dimensions			s	A	WS	Clamping force max. [kN]	Tightening torque max. [Nm]	g	Art. No.
		h ₁	h ₂	[mm]							
M16	30,1	12,7	26,8	[mm]	2,5	15	12	26,7	135	90	23270.0216

Application example

