

Eccentric Clamping Washers

23270.0212



Product Description

The eccentric clamp washers are especially suitable for the clamping of raw parts, e.g. cut-off portions, cast iron parts and forgings.

Material

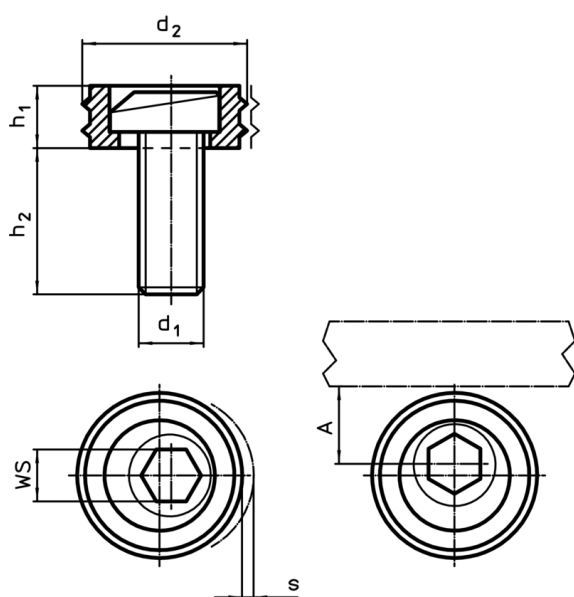
Eccentric screw

- Steel

Body

- Steel, case-hardened

Drawing



Order information

d ₁	d ₂	Dimensions			s	A	WS	Clamping force max. [kN]	Tightening torque max. [Nm]	g	Art. No.
		h ₁	h ₂	[mm]							
M12	25,4	9,6	22,5	2	12,7	8	17,8	88	40	23270.0212	

Application example

