

Eccentric Clamping Clamps

23270.0112



Product Description

These clamps have a high clamping force for low clamping heights. The body from brass provides a gentle but safe clamping.

Material

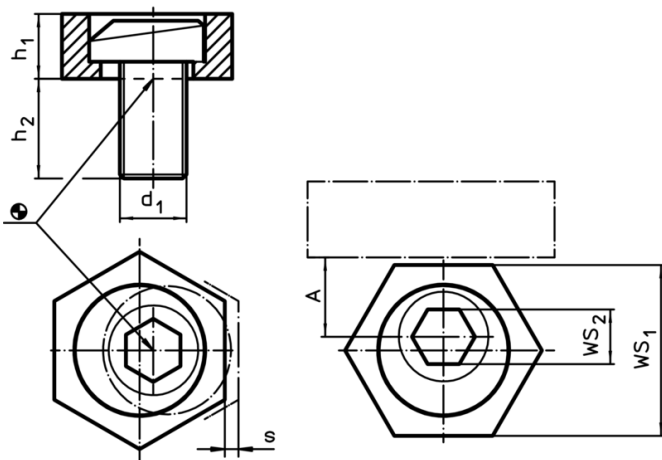
Eccentric screw

- Steel

Body

- Brass

Drawing



Order information

d ₁	Dimensions			A	WS ₁	WS ₂	Clamping force max. [kN]	Tightening torque max. [Nm]	g	Art. No.
	h ₁	h ₂	s							
[mm]				[mm]	[mm]	[mm]				
M12	9,5	22,8	2	12,7	25,4	8	9	75	53	23270.0112

Application example

