

Eccentric Clamping Clamps

23270.0110



Product Description

These clamps have a high clamping force for low clamping heights. The body from brass provides a gentle but safe clamping.

Material

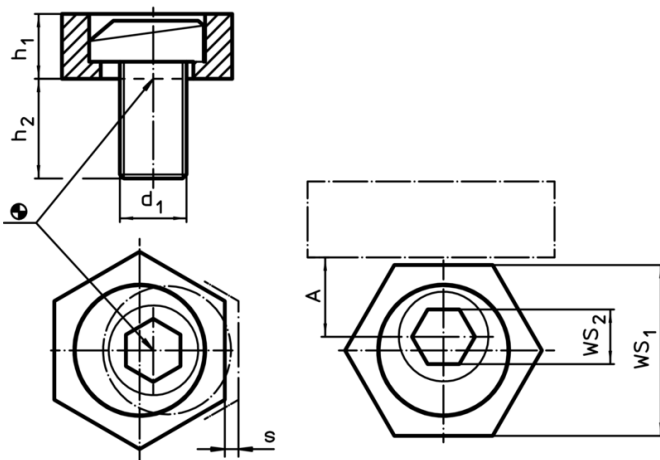
Eccentric screw

- Steel

Body

- Brass

Drawing



Order information

d ₁	Dimensions			A	WS ₁	WS ₂	Clamping force max. [kN]	Tightening torque max. [Nm]	g	Art. No.
	h ₁	h ₂	s							
[mm]				[mm]	[mm]	[mm]				
M10	6,3	19	1,3	10,2	20,6	7	7	26	27	23270.0110

Application example

