

Eccentric Clamping Clamps

23270.0108



Product Description

These clamps have a high clamping force for low clamping heights. The body from brass provides a gentle but safe clamping.

Material

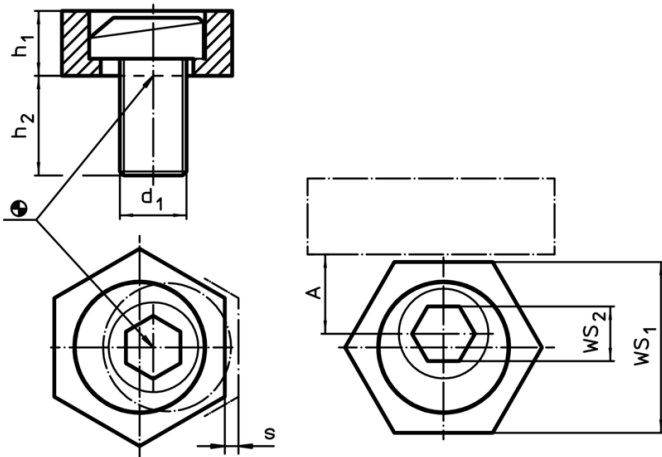
Eccentric screw

- Steel

Body

- Brass

Drawing



Order information

d ₁	Dimensions			A	WS ₁	WS ₂	Clamping force max.	Tightening torque max.	g	Art. No.
	h ₁	h ₂	s							
[mm]										
M8	4,8	15	1	10,2	20,6	5	3,6	18	18	23270.0108

Application example

