

Eccentric Clamping Clamps

23270.0106



Product Description

These clamps have a high clamping force for low clamping heights. The body from brass provides a gentle but safe clamping.

Material

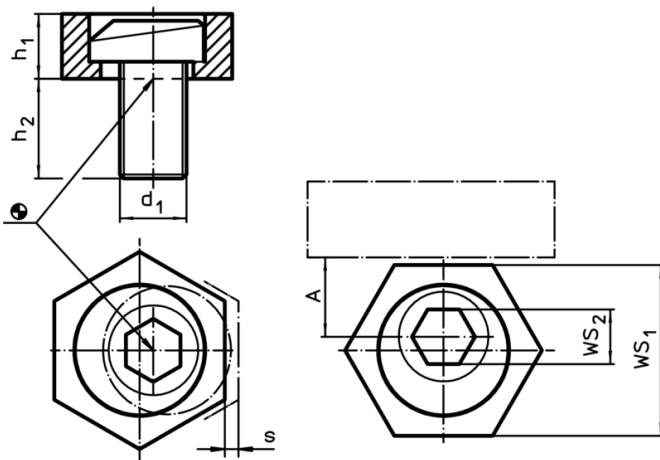
Eccentric screw

- Steel


Body

- Brass

Drawing



Order information

Dimensions				A	WS ₁	WS ₂	Clamping force max.	Tightening torque max.		Art. No.
d ₁	h ₁	h ₂	s	[mm]	[mm]	[mm]	[kN]	[Nm]	[g]	
M6	4,8	11,2	1	7,8	15,86	4	3,4	10	10	23270.0106

Application example

