

Eccentric Clamping Clamps

23270.0104



Product Description

These clamps have a high clamping force for low clamping heights. The body from brass provides a gentle but safe clamping.

Material

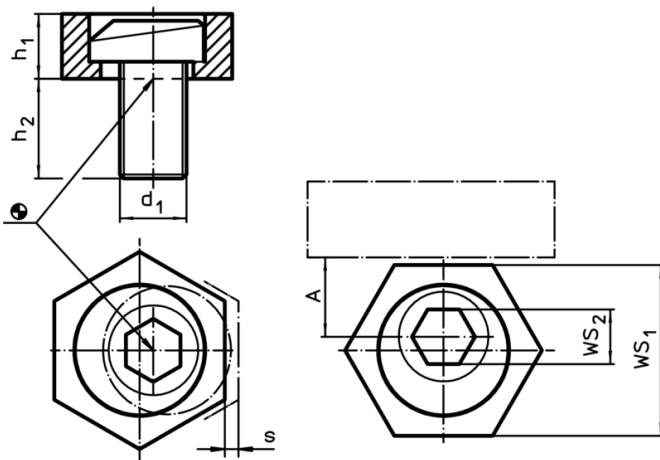
Eccentric screw

- Steel


Body

- Brass

Drawing



Order information

Dimensions			s	A	WS ₁	WS ₂	Clamping force max. [kN]	Tightening torque max. [Nm]	 [g]	Art. No.
d ₁	h ₁	h ₂								
M4	2,8	9,6	0,75	3,8	7,93	3	0,9	2,5	2	23270.0104

Application example

