

Clamping Devices "actima"

23260.0014



Product Description

Compact clamping element for pull and push clamping strain which can be converted by turning the pressure sleeve. The travel path is 10 mm. Within the short clamp travel of 2 mm, self-locking occurs in any position. The maximum clamping force allowed is 4,9 kN.

Material

Housing

- Thermoplastic, black

Body

- Steel, blackened

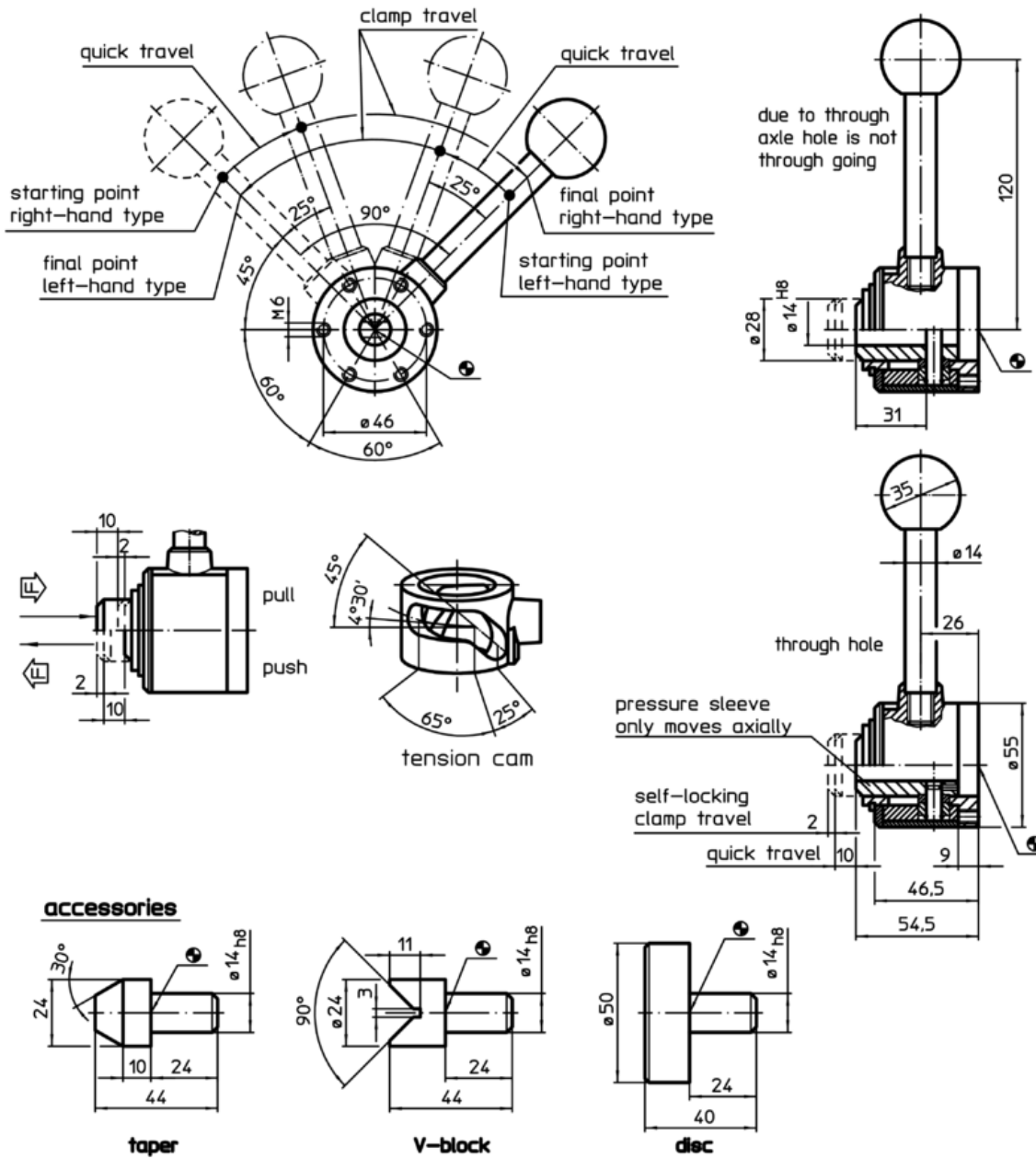
Ball knob

- DIN 7708 - Thermosetting plastic (PF 31), red similar to RAL 3003

Accessories

- Steel, blackened

Drawing



Order information

travel path [mm]	s Clamping way [mm]	Clamping force max. [kN]	[g]	Art. No.
with throughgoing bore				
10	2	4,9	750	23260.0014

Accessories

[g]	Art. No.
Disc	
270	23260.0042
taper	
85	23260.0044
V-block	
82	23260.0046

Application example

