

Taper Clamping Units

23250.0008



Product Description

Material

Body

- Tool steel, hardened, bright

Screw

- Heat-treated steel, tempered, quality 12.9

Spring

- Spring steel wire

Clamping Jaws

- Tool steel, hardened, blackened and ground

Assembly

Can be mounted in a threaded hole or with T-nuts for horizontal or vertical multiple clamping.

Operation

Inserting the socket head screw moves the two clamping chucks outwards and presses the workpieces against a stop. Using the double taper, an additional vertical clamping force will be achieved. Stroke of taper clamping units with M 5 = ±0,5, M 8 = ±0,5, M 12 = ±1 and M 16 = ±1,5. Can be mounted in a threaded hole or with T-nuts for horizontal or vertical multiple clamping.

More information

References

For further taper clamping units please refer to chapter "Multiple Clamping System".

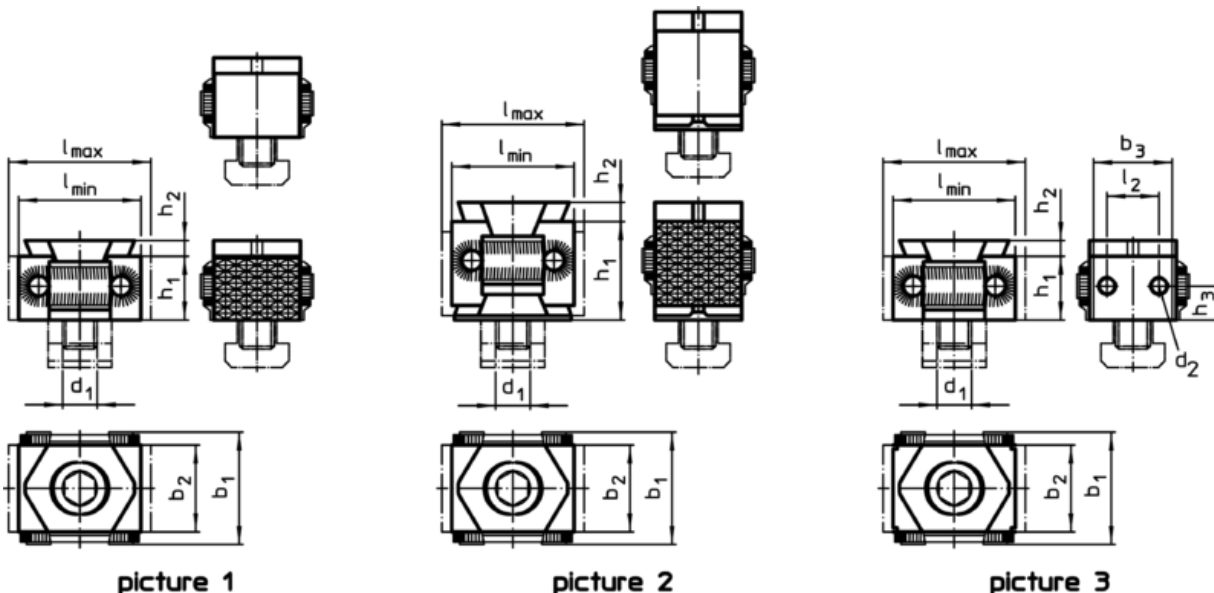
Accessories

T-Nuts EH 23010. have to be purchased separately.


Further products

- Nuts for T-slots, DIN 508
- Taper Clamping Units, flat / ribbed, M8
- Taper Clamping Units, flat / ribbed, M12
- Taper Clamping Units, with screw fastened thread, M12

Drawing



Order information

d ₁	l	Dimensions				Clamping force max. [kN]	Tightening torque max. [Nm]	 [g]	Art. No.
		b ₁ [mm]	b ₂	h ₁	h ₂				
single taper, ribbed clamping jaw – picture 1									
M8	27 – 31	29	21	15	2,5	20	43	73	23250.0008

Application example

