

Stabilizing Clamping Jaws

23240.0020

Product Description

Due to the big clamping jaw, this clamping element is suitable for lateral clamping of high workpieces. The clamping force acts forwards and downwards. Clamping plate is turnable, i.e. to the ground or ribbed side.



Material

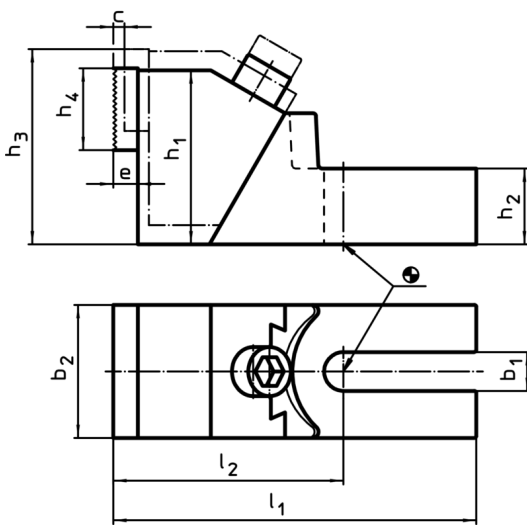
Body

- Cast iron

Clamping Jaws

- Steel, case-hardened

Drawing



Order information

Dimensions										T-slot size	Spring load		Art. No.	
b ₁	c	h ₁	h ₂	h ₃	h ₄	b ₂	l ₁	l ₂	e	a	F ₁	F ₂		[g]
[mm]										[mm]	[kN]			
26	11	100	45	118	40	75	226,5	136,5	12	20	30	4,5	6760	23240.0020
										22	30	4,5		
										24	32	4,8		
										28	32	4,8		
										30	36	5,4		

Application example

