

## Clamping Vices

23231.0010

### Product Description



The clamping vice is a solid, compact clamping module with a horizontally acting clamping force and a robust mechanical spindle.

- clamping force up to max. 80 kN
- clamping stroke 25 mm via screw drive WS 36
- fixture via 4 cap screws M 24, quality 8.8 (tightening torque 600 Nm) with a hole spacing 100 x 100 mm
- suitable clamping jaws 23231.0020 - .0033 are available

### Material

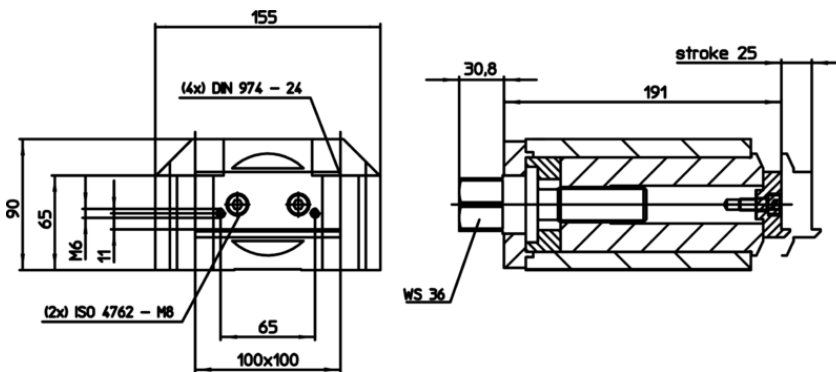
- Steel, case-hardened, ground

### More information

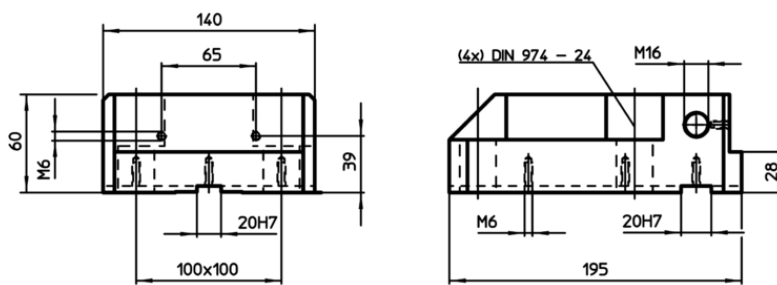
### Further products

- Standard Jaws, for vices
- Interchangeable Jaws, for vices, with pull-down effect
- Clamping Vices, moveable jaw
- Clamping Vices, fixed jaw
- Clamping Vices, replacement jaw, soft
- Clamping Vices, replacement jaw, ribbed/flat

### Drawing




picture 1



picture 2

### Order information

Clamping force horizontal max. [kN]	Tightening torque max. [Nm]	 [kg]	Art. No.
80	200	15,3	23231.0010

Application example

