

Locating Clamps

23230.0450

Product Description

Suitable for a simultaneous "positioning" and "clamping" of workpieces. The locating element is a precision element which can be assembled from either side. The clamping and locating part adapted to the workpiece is screwed to the cylindrical support. Clamping and locating parts are manufactured by the user according to the individual requirements.



Material

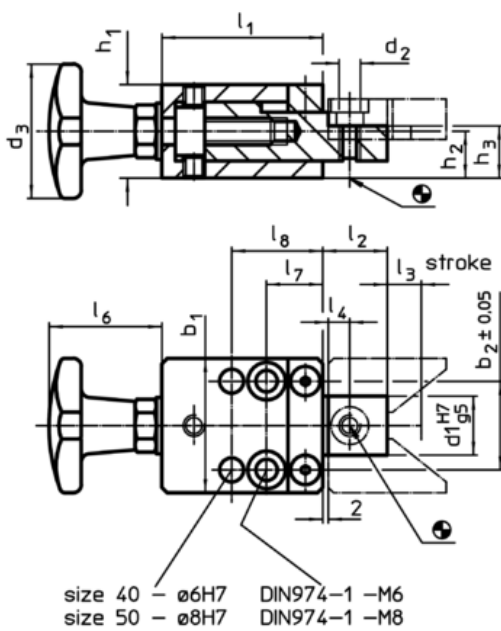
Handle

- Thermosetting plastic PF 31, black, DIN 319

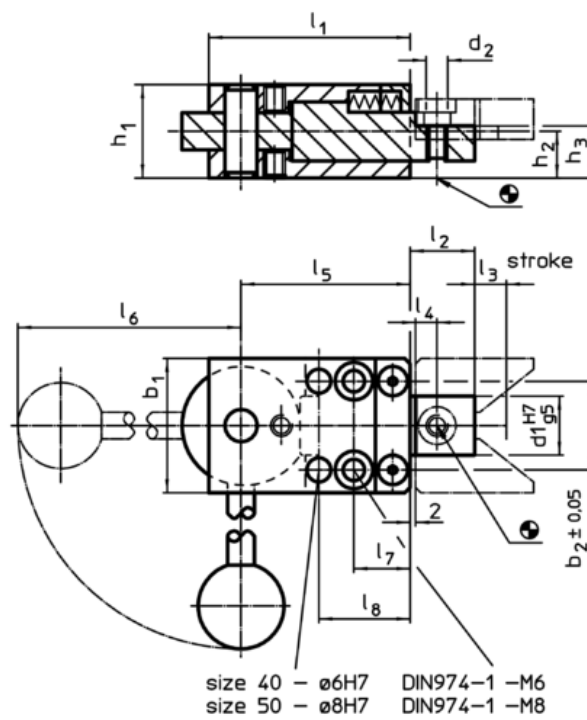
Clamp

- Steel, case-hardened, blackened, ground

Drawing



picture 1



picture 2

Order information

Dimensions															[g]	Art. No.	
b ₁	b ₂ ±0,05	d ₁ H7 g5	d ₂	h ₁	h ₂	h ₃	l ₁	l ₂	l ₃	l ₄	l ₅	l ₆	l ₇	l ₈			
[mm]																	
with spiral eccentric clamping lever – picture 2																	
50	33	22	M8	34,8	17,4	19,4	75	24	4	10	63	145	21	34	1071	23230.0450	

Application example

