

## Locating Clamps

23230.0440

### Product Description

Suitable for a simultaneous "positioning" and "clamping" of workpieces. The locating element is a precision element which can be assembled from either side. The clamping and locating part adapted to the workpiece is screwed to the cylindrical support. Clamping and locating parts are manufactured by the user according to the individual requirements.



### Material

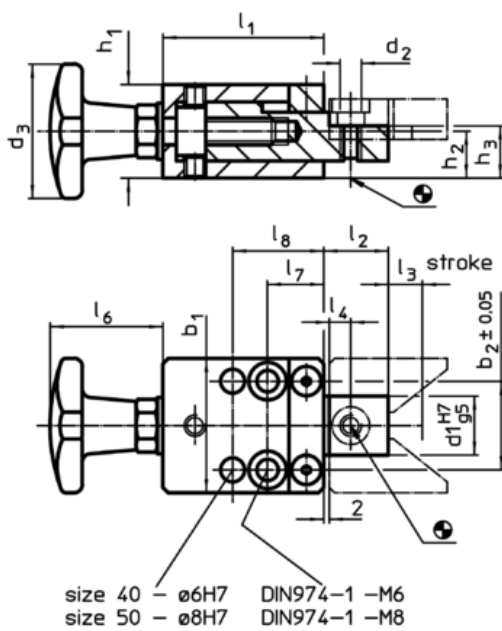
#### Handle

- Thermosetting plastic PF 31, black, DIN 319

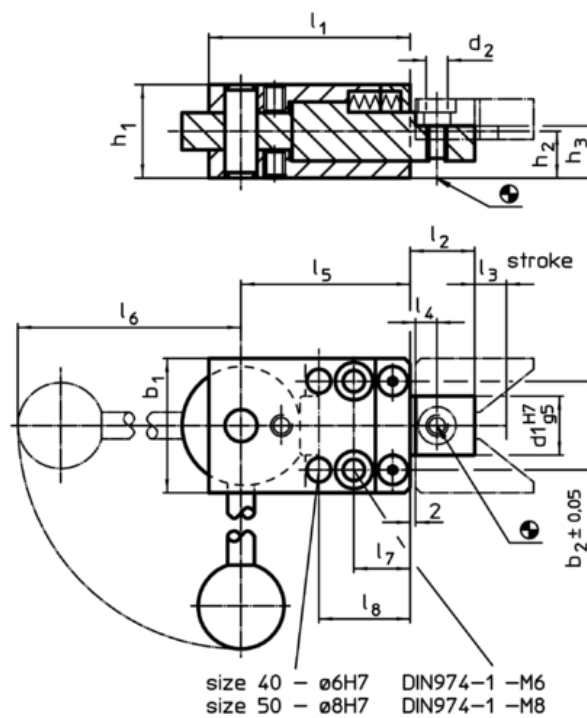
#### Clamp

- Steel, case-hardened, blackened, ground

### Drawing



picture 1



picture 2

### Order information

Dimensions														[g]	Art. No.	
b <sub>1</sub>	b <sub>2</sub> ±0,05	d <sub>1</sub> H7 g5	d <sub>2</sub>	h <sub>1</sub>	h <sub>2</sub>	h <sub>3</sub>	l <sub>1</sub>	l <sub>2</sub>	l <sub>3</sub>	l <sub>4</sub>	l <sub>5</sub>	l <sub>6</sub>	l <sub>7</sub>			l <sub>8</sub>
[mm]																
with spiral eccentric clamping lever – picture 2																
40	27	18	M6	29,8	14,9	16,9	60	19	3	8	50	96	17	28	566	23230.0440

Application example

